



# SUZUKI MARINE

Parts Book

Cabrea

EL 30



(732) 264-7176

(800) 338-0645 FAX (732) 264-2472

[www.brownspoint.com](http://www.brownspoint.com)

When it becomes necessary to replace parts on CABREA OUTBOARD MOTORS, always use CABREA GENUINE PARTS which have passed a strict inspection which guarantees quality and performance.

This parts catalogue covers the list of all service parts for CABREA EL30.

INSTRUCTIONS FOR QUOTING THE CATALOGUE

1. DIMENSIONS

Dimensions of the parts in this catalogue are indicated in unit millimeters.

2. ABBREVIATIONS

Abbreviations used in this catalogue are as follows:

AR	: As required	NT	: Number of teeth
ASSY	: Assembly	OPT	: Optional
E.No.	: Engine number	OS	: Over size
F.No.	: Frame number	STD	: Standard
d	: Diameter of material	T	: Thickness
ID	: Inside diameter	US	: Under size
OD	: Outside diameter	W	: Width
L	: Length	A,B	: Transom type
LH	: Left hand side		
RH	: Right hand side	A=	SHORTSHAFT 15"
-123456	: Up to F.No.03001-123456	B=	LONGSHAFT 20"
123456-	: From F.No.03001-123456		

$\frac{12}{1} \times \frac{34}{1} \times \frac{5.6}{1}$  ..... Figures in the description column show the dimensions of parts.

ID OD T(or W,L)

3. INNER PARTS OF ASSEMBLY

Parts number that have a period (.) mark in front of the part description on a text page are separately serviced parts of the assembly.

4. MODIFICATION NOTICE

A parts bulletin will be sent to you on all occasions when changes in parts occur, including interchangeable modifications between new parts and old ones.

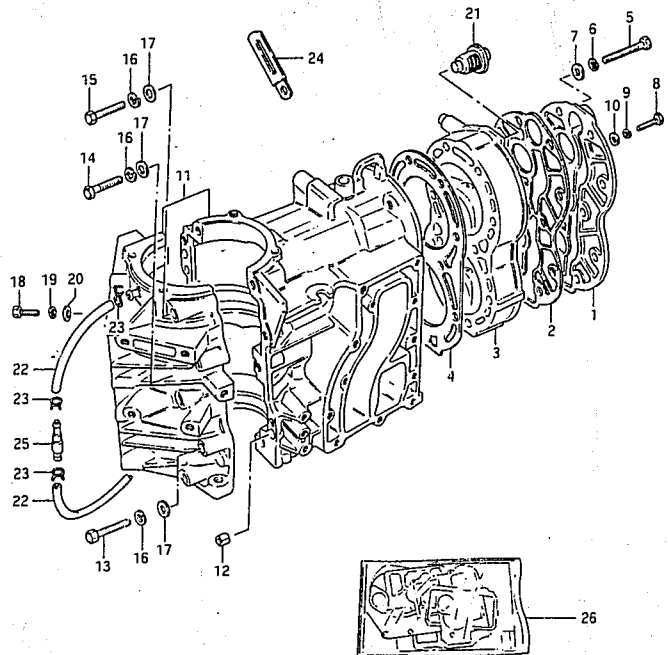
5. NOTE

- 5-1. There are some different parts from those of production models among spare parts for the administrative reasons and common use of them with other models.
- 5-2. In respect of rubber hoses and vinyl tubes, please be sure to use them by cutting off according to the length mentioned on parts catalogue or what is actually required on the vehicle.
- 5-3. Note that the drawings on the illustration page are for ready reference of spare parts number, not to be used as an assembly manual. When assembling, use "CABREA SERVICE MANUAL".

6. ENGINE NUMBER

CABREA EL 30 : 03001-823455-

FIG. 1



1

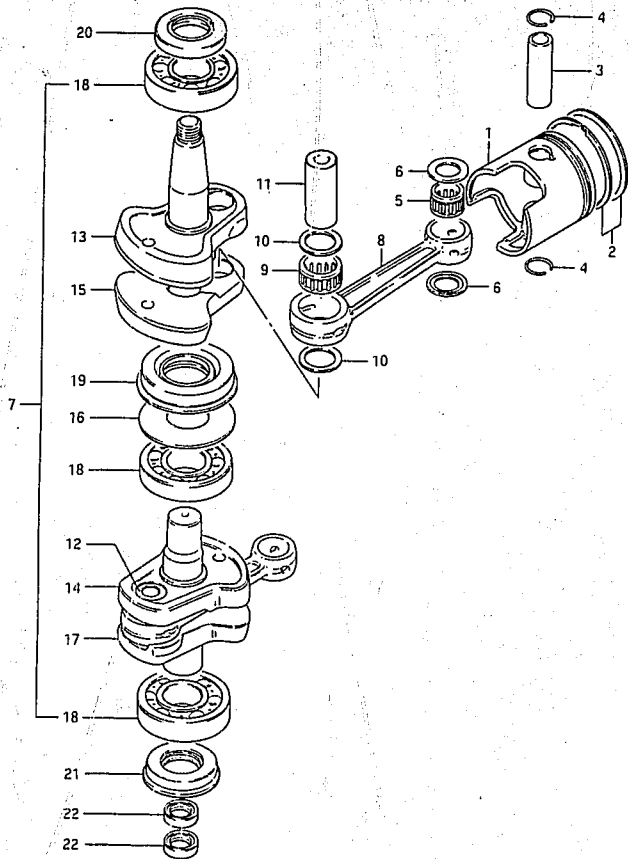
FIG. 1 ( B- 2) CYLINDER

Q'TY

REF.NO.	PART NO.	DESCRIPTION	Q'TY	REMARKS
1	11161-96302-10V	COVER, cylinder head	1	
2	11162-96302	GASKET	1	
3	11111-96303-10V	CYLINDER HEAD	1	
4	11141-96302	GASKET	1	
5	01107-08652	BOLT	10	
6	08321-21082	LOCK WASHER	10	
7	08322-11082	WASHER	10	
8	01107-06252	BOLT	2	
9	08321-21062	LOCK WASHER	2	
10	08322-21062	WASHER	2	
11	11301-96306-10V	CYLINDER ASSY	1	
12	04211-09109	.PIN	2	
13	01107-08552	.BOLT	4	
14	01107-08452	.BOLT	2	
15	01107-08602	.BOLT	2	
16	08321-21082	.LOCK WASHER	8	
17	08322-11082	.WASHER	8	
18	01517-06252	.BOLT	4	
19	08321-21062	.LOCK WASHER	4	
20	08322-21062	.WASHER	4	
21	17670-93962	THERMOSTAT	1	
22	09354-31684-400	HOSE (3,1x6.8x400)	2	L:400*180
23	09401-06403	CLIP	4	
24	09404-06204	CLAMP (L:80)	2	
25	16710-96300	CHECK VALVE	1	
26	11400-96847	GASKET SET	1	GPT

FWO

FIG.2



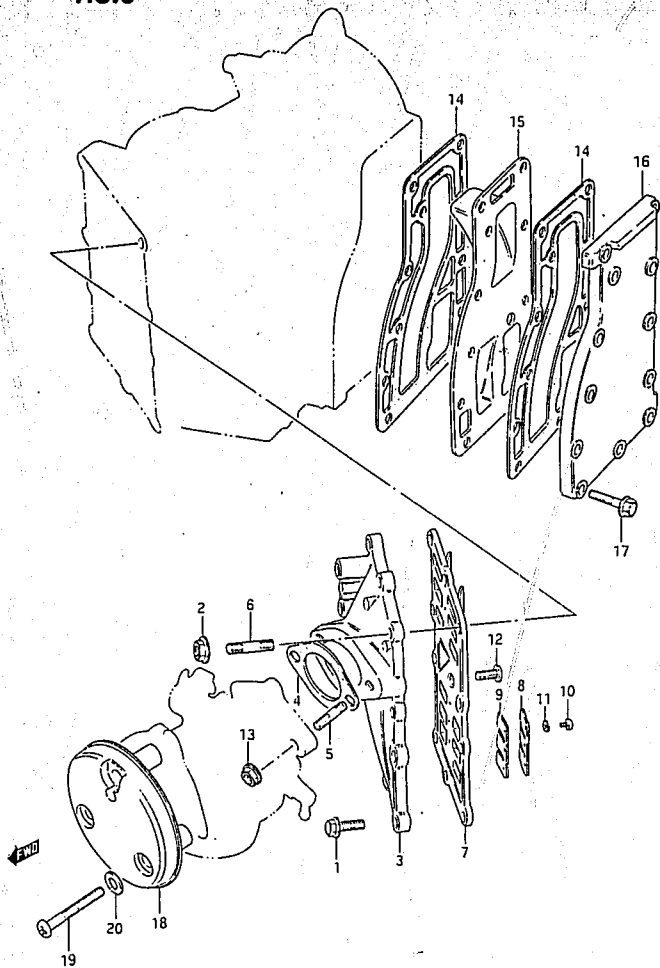
2

FIG.2 ( B-3) CRANKSHAFT

REF.NO.	PART NO.	DESCRIPTION	Q'TY	REMARKS
1-1	12110-96303	PISTON	2	
1-2	12110-96353-025	PISTON (OS:0.25)	2	OPT
1-3	12110-96353-050	PISTON (OS:0.50)	2	OPT
2-1	12140-96301	RING SET, piston	2	
2-2	12140-96351-025	RING SET, piston (OS:0.25)	2	OPT
2-3	12140-96351-050	RING SET, piston (OS:0.50)	2	OPT
3	12151-92501	PIN, piston	2	
4	09381-18002	SNAP RING	4	
5	09263-18016	BEARING (18x23x22)	2	
6	09169-18001	WASHER	4	
7	12200-96308	CRANKSHAFT ASSY	1	
8	12161-96300	.ROD, connecting	2	
9	09263-24018	.BEARING (24x32x20)	2	
10	09181-24001	.WASHER (24x31.5x1)	4	
11	12211-96311	.PIN, crank upper	1	
12	12211-96301	.PIN, crank lower	1	
13	12221-96305	.CRANKSHAFT, upper	1	
14	12232-96305	.WHEEL, middle crankshaft under	1	
15	12231-96303	.WHEEL, middle crankshaft upper	1	
16	09160-50002	.WASHER (50x77x1)	1	
17	12240-96310	.CRANKSHAFT, under	1	
18	09262-30055	.BEARING (30x72x19)	3	
19	09289-38013	.OIL SEAL	1	
20	09283-30011	OIL SEAL (30x55x10)	1	
21	09283-30042	OIL SEAL (30x55x10)	1	
22	09282-15004	OIL SEAL (14.7x25x7)	2	



FIG.3



CADREA EI. 30

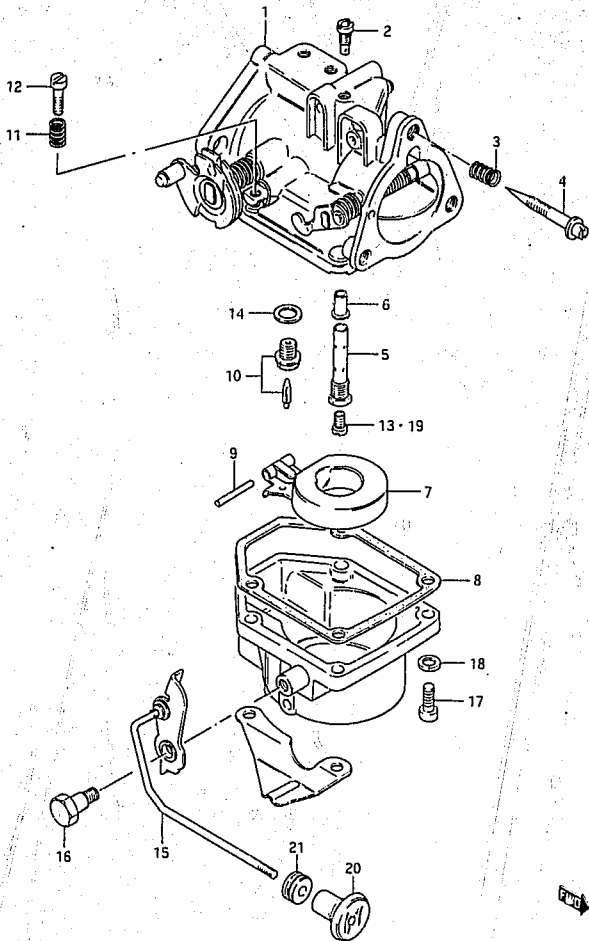
FIG.3 ( B- 4) INLET CASE - EXHAUST COVER

REF.NO.	PART NO.	DESCRIPTION	Q'TY	REMARKS
1	01517-06252	BOLT	8	
2	08316-16062	NUT	2	
3	12481-96301-10V	CASE, inlet	1	
4	13125-93000	GASKET, carburetor	1	
5	01411-08202	STUD BOLT	2	
6	01421-06202	STUD BOLT	2	
7	13150-96300	REED VALVE ASSY	1	
8	13152-96300	.STOPPER, reed valve	4	
9	13153-96300	.VALVE, reed	4	
10	02112-03068	.SCREW	12	
11	08321-21067	.LOCK WASHER	12	
12	02122-06167	SCREW	1	
13	08316-16082	NUT	2	
14	14151-96300	GASKET, exhaust cover	2	
15	14131-96301	PLATE, exhaust	1	
16	14141-96301-10V	COVER, exhaust	1	
17	01517-06252	BOLT	12	
18	13811-96300	CASE, silencer	1	
19	02112-06402	SCREW	3	
20	08322-21062	WASHER	3	

CADREA EL 30

B4

FIG.4



4

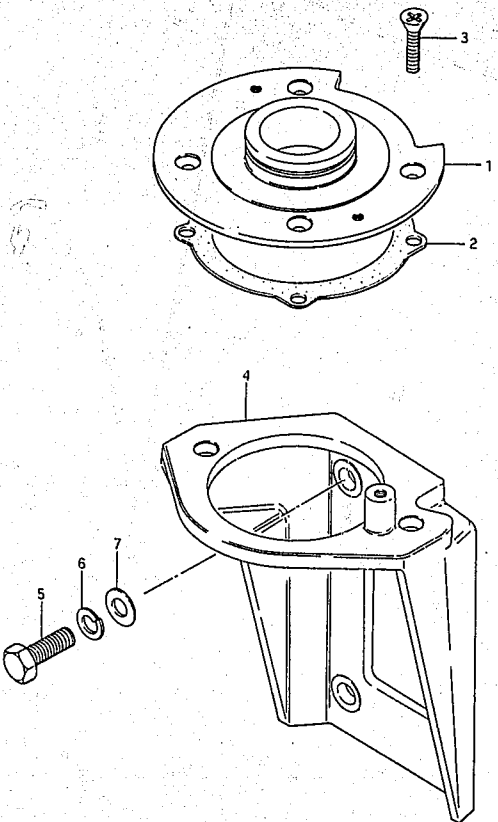
FIG.4 ( B- 5) CARBURETOR

REF.NO.	PART NO.	DESCRIPTION	Q'TY	REMARKS
1	13200-96304	CARBURETOR ASSY	1	
2	09492-85001	.JET, air (#85)	1	
3	13271-93311	.SPRING, air screw	1	
4	13269-93311	.SCREW, pilot air	1	
5	13236-96300	.NOZZLE	1	
6	13237-94400	.NOZZLE	1	
7	13250-93012	.FLOAT	1	
8	13251-93310	.GASKET, float chamber	1	
9	13254-93010	.PIN, float	1	
10	13370-28110	.VALVE ASSY, needle	1	
11	13268-96110	.SPRING, throttle stop	1	
12	13534-96300	.SCREW, throttle stop	1	
13	09491-32006	.JET, main (#160)	1	
14	13392-58600	.GASKET, valve seat	1	
15	13681-96300	.LEVER, choke	1	
16	13682-96300	.BOLT	1	
17	02112-05208	.SCREW	4	
18	08321-21057	.LOCK WASHER	4	
19-1	09491-34004	JET, main (#170)	1	OPT
19-2	09491-33004	JET, main (#165)	1	OPT
19-3	09491-31003	JET, main (#155)	1	OPT
20	13631-93500	KNOB, starter	1	
21	09305-04005	BUSH	1	

FIG.5

5

FIG.5 ( B- 6) UPPER OIL SEAL HOUSING

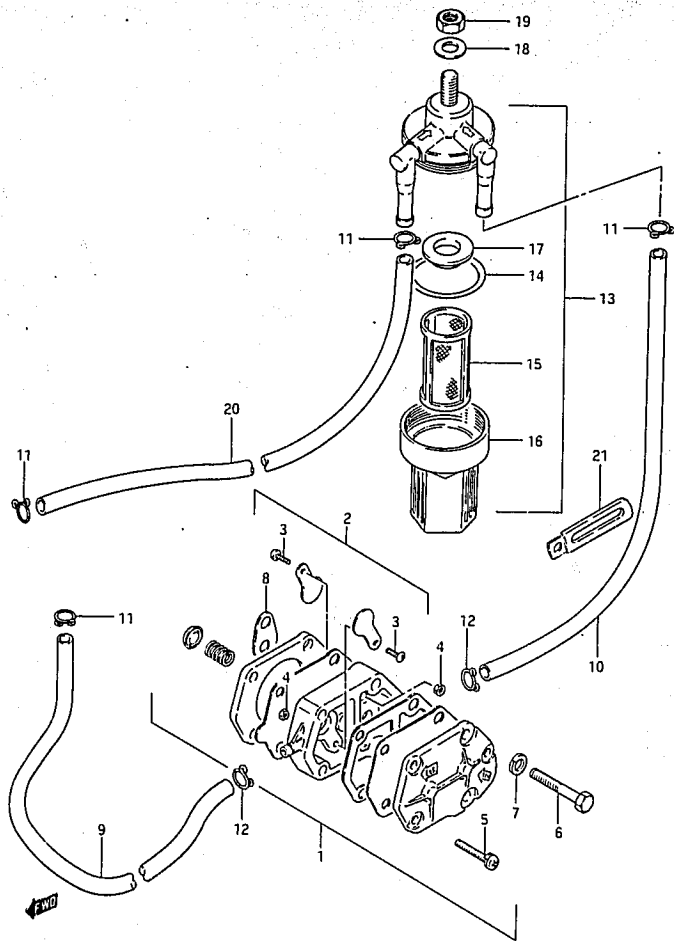


REF.NO.	PART NO.	DESCRIPTION	Q'TY	REMARKS
1	11411-96301	HOUSING, upper oil seal	1	
2	11413-96300	GASKET	1	
3	02122-06208	SCREW	4	
4	31911-96302-10V	BRACKET, starter	1	ELECTRIC STARTER
5	01107-08252	BOLT	4	ELECTRIC STARTER
6	08321-21082	LOCK WASHER	4	ELECTRIC STARTER
7	08322-21082	WASHER	4	ELECTRIC STARTER

FIG.6

6

FIG.6 ( B-7) FUEL PUMP



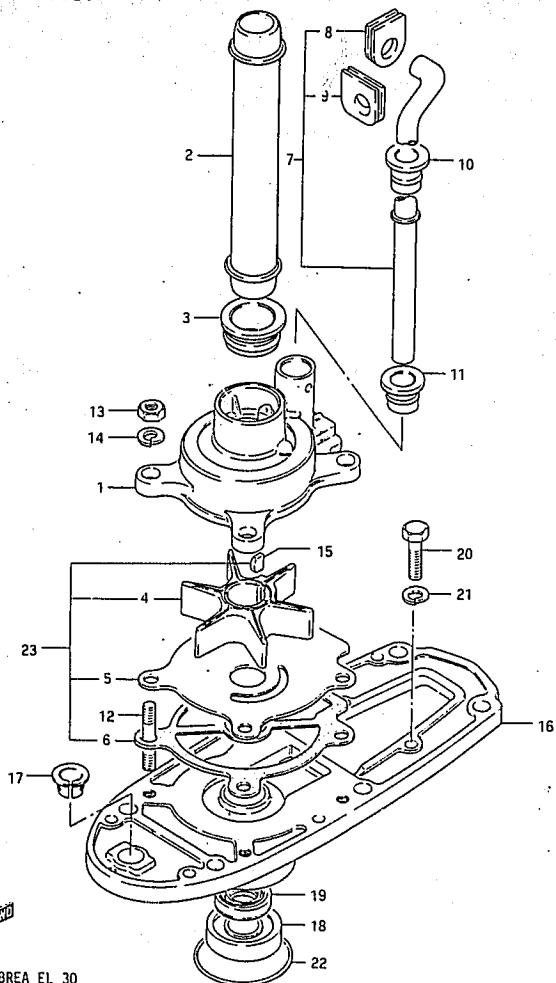
Q'TY

REF.NO.	PART NO.	DESCRIPTION	Q'TY	REMARKS
1	15100-94302	PUMP ASSY, fuel	1	
2	15170-94311	.DIAPHRAGM SET	1	
3	15183-94301	.SCREW	2	
4	15186-94300	.NUT	2	
5	15851-94300	.SCREW	3	
6	01107-06402	BOLT	2	
7	08321-21062	LOCK WASHER	2	
8	15321-99700	GASKET	1	
9	09352-50903-540	HOSE (5x9x540)	1	L:540+195
10	09352-50903-540	HOSE (5x9x540)	1	L:540+195
11	09401-08410	CLIP	4	
12	15331-94300	CLIP	2	
13	15410-93400	FILTER, fuel	1	
14	15415-93400	.O RING	1	
15	15412-93400	.STRAINER	1	
16	15413-93400	.CUP	1	
17	15416-93400	.PACKING	1	
18	08322-21082	WASHER	1	
19	08310-22082	NUT	1	
20	09352-50903-540	HOSE (5x9x540)	1	L:540+320
21	09404-06204	CLAMP (L:80)	1	



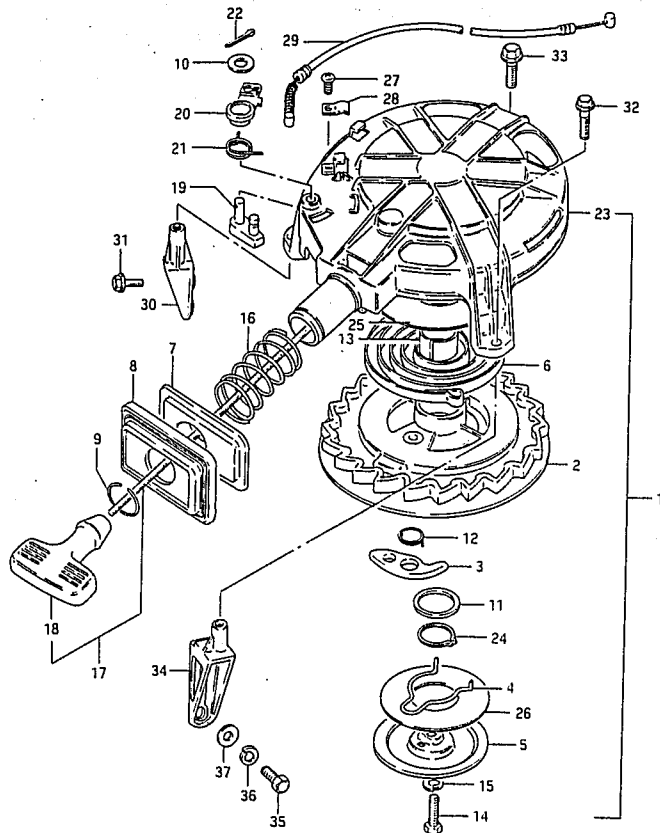
FIG. 7

FIG. 7 ( B- B) WATER PUMP



REF.NO.	PART NO.	DESCRIPTION	Q'TY	REMARKS
1	17411-94400	CASE, water pump	1	
2-1	17431-96310	TUBE, water pump seal (A)	1	A= SHORTSHAFT 15"
2-2	17431-96300	TUBE, water pump seal (B)	1	B= LONGSHAFT 20"
3	17432-96300	GROMMET, seal tube	2	
4	17461-96301	IMPELLER, water pump	1	
5	17471-94401	PANEL, under	1	
6	17472-96301	GASKET, pump case, lower	1	
7-1	17560-96311	TUBE, water (A)	1	A= SHORTSHAFT 15"
7-2	17560-96301	TUBE, water (B)	1	B= LONGSHAFT 20"
8	17563-96301	.GROMMET, upper (1)	1	
9	17564-96301	.GROMMET, upper (2)	1	
10	17565-96300	GROMMET, middle (A/B)	1	
11	17566-96302	GROMMET, lower	1	
12	09108-06007	STUD BOLT	4	
13	09140-06004	NUT	4	
14	09162-06006	LOCK WASHER	4	
15	09420-04006	KEY	1	
16	56130-96302-10V	HOUSING, drive shaft bearing	1	
17	25214-96302	.BUSH, shifting rod	1	
18	09265-17002	.BEARING	1	
19	09289-17004	.OIL SEAL	1	
20	09100-06103	BOLT	2	
21	09162-06001	LOCK WASHER	2	
22	09280-50005	O RING	1	
23	17400-96350	KIT, water pump repair	1	OPT

FIG. 8



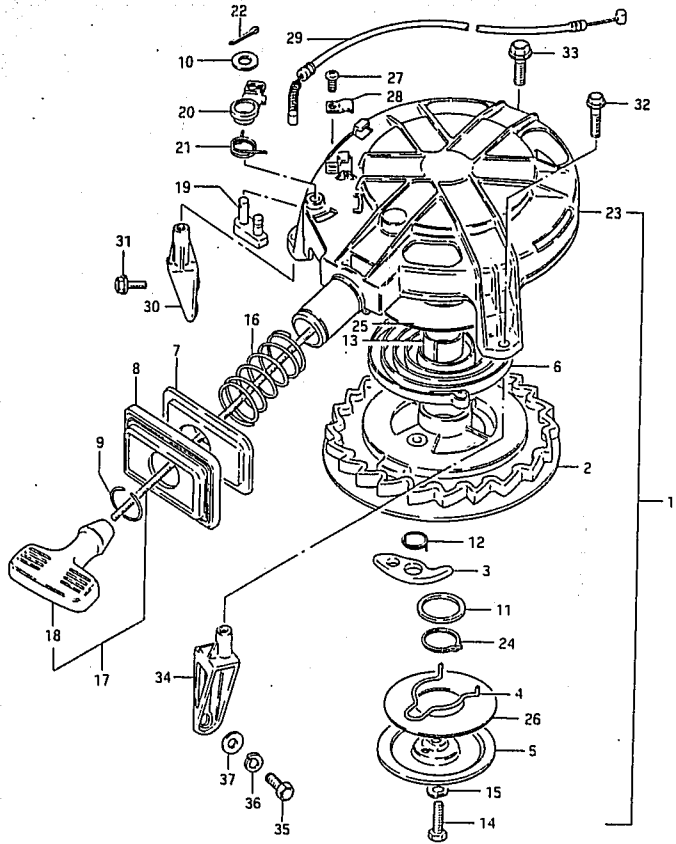
8

FIG. 8 ( B- 9) RECOIL STARTER

REF.NO.	PART NO.	DESCRIPTION	Q'TY	REMARKS
1	18100-96306	STARTER ASSY, recoil	1	
2	18120-96301	.REEL	1	
3	18131-96301	.RATCHET	1	
4	18153-96300	.SPRING	1	
5	18151-96301	.PLATE	1	
6	18142-96300	.SPRING	1	
7	18191-95202	.PLATE	1	
8	18192-95204	.RUBBER, defense	1	
9	18195-95200	.RING	1	
10	18335-96300	.WASHER	1	
11	18162-96300	.WASHER	1	
12	18155-96301	.SPRING	1	
13	18124-96300	.BUSH	1	
14	18332-96300	.BOLT	1	
15	08321-31067	.LOCK WASHER	1	
16	18196-96301	.SPRING, defense	1	
17	18200-95203	.GRIP ASSY	1	
18	18210-93001	..GRIP	1	
19	18281-96300	.LEVER, stopper	1	
20	18282-96300	.ARM, stopper	1	
21	18284-96300	.SPRING	1	
22	18348-96300	.PIN	1	
23	18111-96302	.CASE, starter	1	
24	18255-96300	.CIRCLIP	1	
25	18144-96300	.SPACER	1	
26	18136-96300	.SPACER	1	
27	18291-96300	.SCREW	1	
28	18342-96300	.HOLDER	1	



FIG. 8



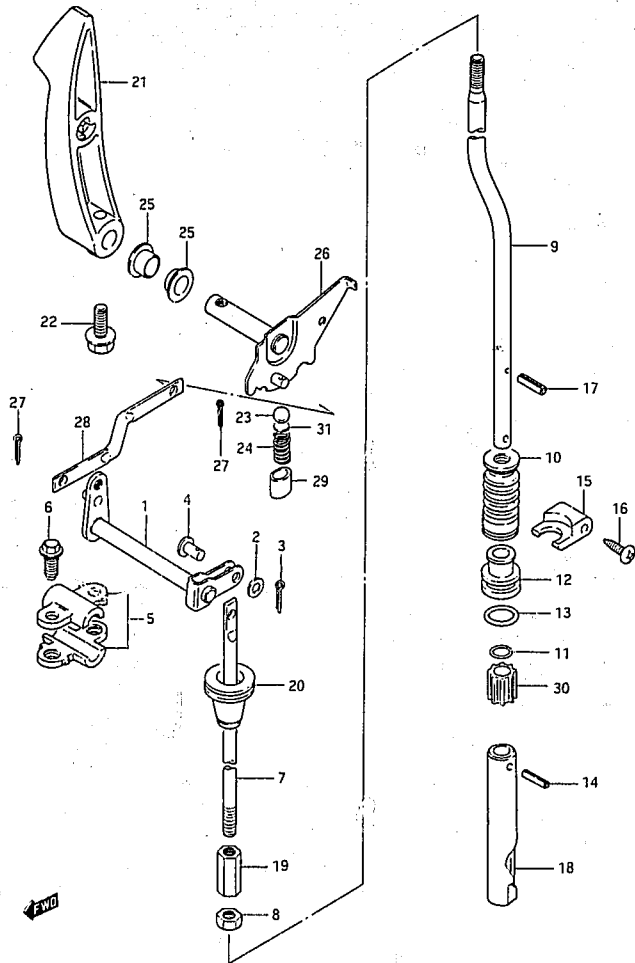
9

FIG. 8 ( B-10) RECOIL STARTER

REF.NO	PART NO.	DESCRIPTION	Q'TY	REMARKS
29	18290-96302	CABLE, NSI	1	
30	18711-96303-10V	BRACE, recoil starter, STBD	1	
31	01517-06202	BOLT	2	
32	01517-06252	BOLT	2	
33	01517-08252	BOLT	1	
34	18721-96303-10V	BRACE, recoil starter, PORT	1	MANUAL STARTER
35	01107-08252	BOLT	2	
36	08321-21082	LOCK WASHER	2	
37	08322-21082	WASHER	2	

END

FIG. 9



10

FIG. 9 ( C- 2) CLUTCH

REF.NO.	PART NO.	DESCRIPTION	Q'TY	REMARKS
1	21210-96300	SHAFT, clutch	1	
2	09160-05010	WASHER (5.5x10x0.8)	1	
3	09204-01001	COTTER PIN	1	
4	09200-05006	PIN	1	
5	21311-96300	HOLDER, clutch shaft	4	
6	01517-06207	BOLT (6x20)	4	
7	23111-96300	ROD, clutch	1	
8	09140-06004	NUT	1	
9-1	25111-96310	ROD, shift (A)	1	A= SHORTSHAFT 15"
9-2	25111-96300	ROD, shift (B)	1	B= LONGSHAFT 20"
10	25222-96300	BOOT, shift rod	1	
11	09280-08005	O RING	1	
12	25211-96301	GUIDE, shift rod	1	
13	09280-13005	O RING	1	
14	09205-03021	SPRING PIN	1	
15	25215-96301	STOPPER, shift rod guide	1	
16	09139-04004	SCREW	2	
17	09205-02004	SPRING PIN	1	
18	25311-96303	CAM, shift	1	
19	23311-94300	TURN BUCKLE, clutch rod	1	
20	23131-94300	BOOT, clutch rod	1	
21	21111-96302-10V	LEVER, clutch	1	
22	09103-06093	BOLT (6x20)	1	
23	09260-10005	STEEL BALL	1	
24	09440-07021	SPRING	1	
25	09306-10001	BUSH	2	
26	21120-96301	PLATE, clutch notch	1	
27	09204-01002	COTTER PIN	2	
28	21241-96300	ROD, clutch arm	1	
29	25231-96301	SPACER, magnet	1	
30	25232-96301	MAGNET	1	
31	21121-93300	PLATE, clutch notch spring	1	

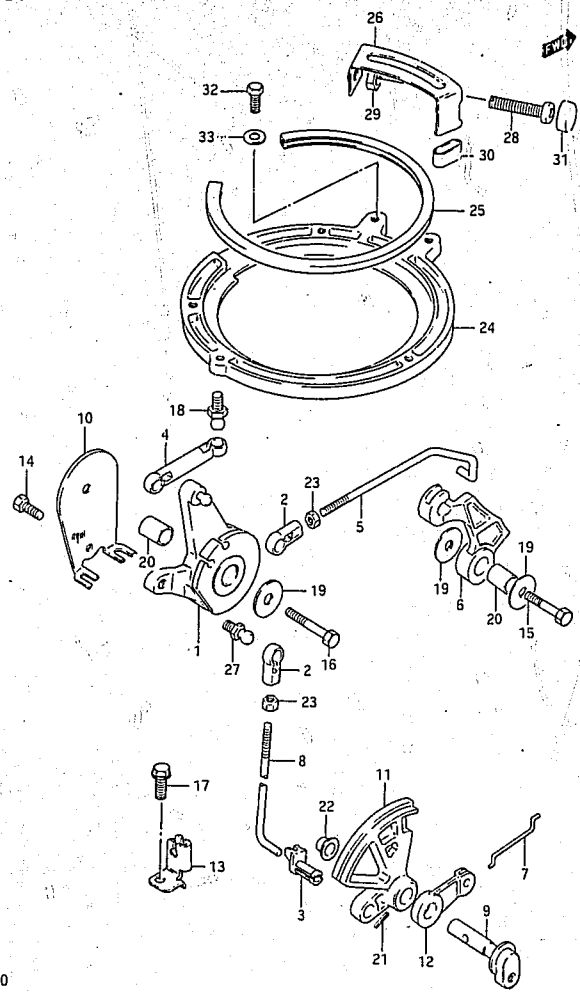
FIG. 10

11

FIG. 10 ( C-3 ) THROTTLE CONTROL

Q'TY

REMARKS



REF. NO.	PART NO.	DESCRIPTION	Q'TY	REMARKS
1	19121-96301	LEVER, throttle control	1	
2	19131-95502	CONNECTOR, throttle lever	2	
3	19131-96300	RETAINER, rod connector	1	
4	19132-95500	CONNECTOR	1	
5	19135-96301	ROD	1	
6	19141-96301	CAM, throttle	1	
7	19654-96300	ROD	1	
8	19656-96300	ROD	1	
9	19720-96302	SHAFT, remo-con throttle	1	
10	19761-96300	STAY, throttle cable	1	
11	19811-96301-10V	LIMITER, throttle	1	
12	19851-96301	LEVER, NSI	1	
13	19861-96301	STAY, NSI cable	1	
14	09100-06131	BOLT	1	
15	09100-06083	BOLT (6x30)	1	
16	09100-06083	BOLT (6x30)	1	
17	09103-06049	BOLT (6x12)	1	
18	09119-05010	BALL PIVOT	1	
19	09160-06046	WASHER (6.5x20x1.5)	3	
20	09180-06105	SPACER (6.1x10x14)	2	
21	09205-04002	SPRING PIN	1	
22	09306-10001	BUSH	1	
23	08310-11052	NUT	2	
24	19151-96300-10V	RETAINER, stator	1	
25	19161-94301	SPACER, stator	1	
26	19172-96302	STOPPER, stator	1	
27	09119-05010	BOLT	1	

FIG. 10

12

FIG. 10 ( C- 4) THROTTLE CONTROL

Q'TY

REF.NO.	PART NO.	DESCRIPTION	Q'TY	REMARKS
28	09125-06080	SCREW	1	
29	09140-06004	NUT	1	
30	09352-70103-120	CUSHION	1	
31	09329-06002	CAP	1	
32	01107-05102	BOLT	2	
33	08322-21052	WASHER	2	

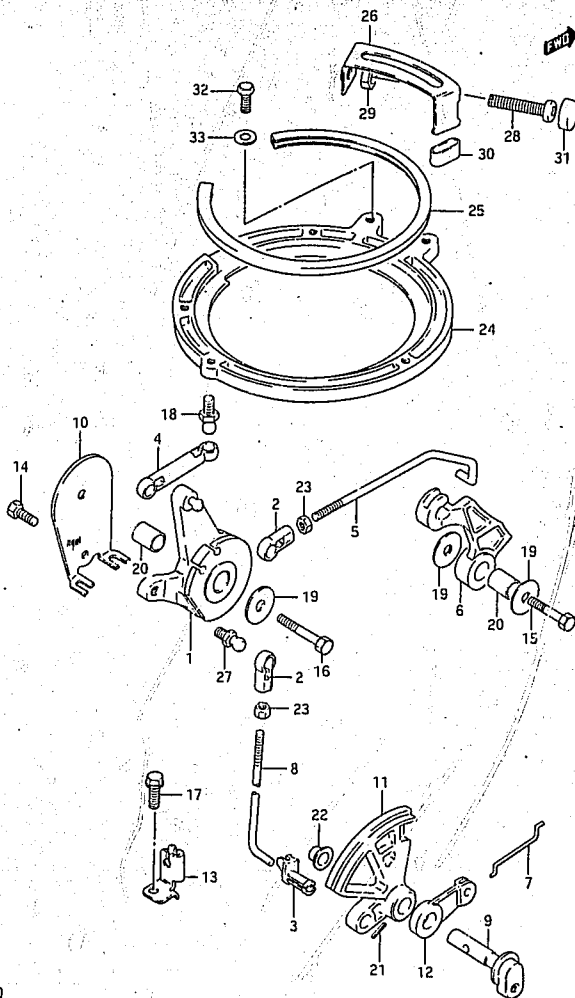
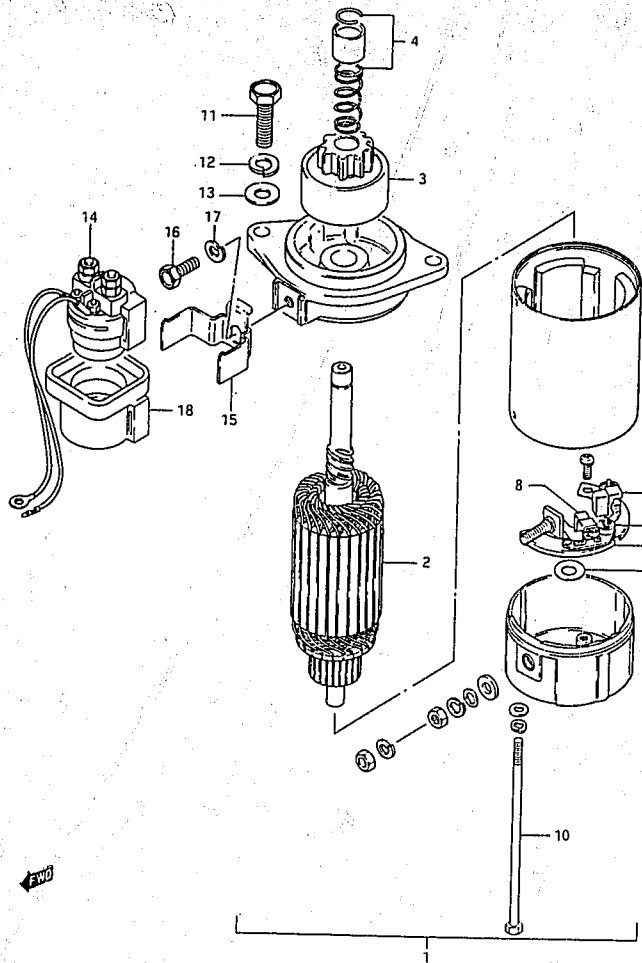


FIG. 11

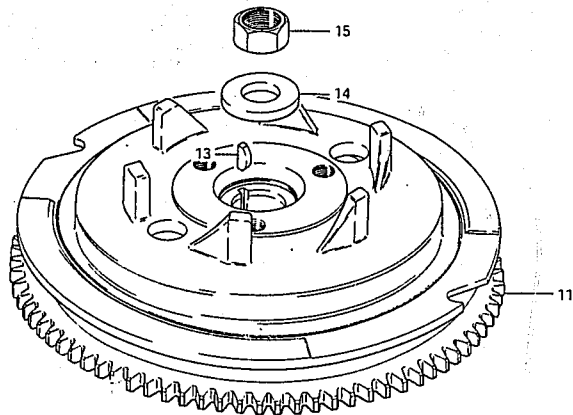


13

FIG.11 ( C- 5) STARTING MOTOR

REF.NO.	PART NO.	DESCRIPTION	Q'TY	REMARKS
1	31100-96311	MOTDR ASSY, starter	1	
2	31310-96300	.ARMATURE	1	
3	31320-96300	.PINION	1	
4	31312-96300	.STOPPER SET, pinion	1	
5	31360-96300	.WASHER	1	
6	31173-96301	.HOLDER ASSY, brush	1	
7	31131-96300	..BRUSH (+)	1	
8	31132-96300	..BRUSH (-)	1	
9	31135-96300	..SPRING	2	
10	31281-93340	.BOLT	2	
11	01107-08252	BOLT	2	
12	08321-21082	LOCK WASHER	2	
13	08322-11082	WASHER	2	
14	31800-94400	RELAY, starter	1	
15	31805-96350	BRACKET, starter relay	1	
16	01107-06167	BOLT	1	
17	08321-21067	LOCK WASHER	1	
18	38422-94510	DAMPER, starter relay	1	

FIG.12



14

FIG.12 ( C- 6) MAGNETO

Q'TY

REF.NO.	PART NO.	DESCRIPTION	Q'TY	REMARKS
1	32101-96340	STATOR ASSY	1	
2-1	32120-96300	.COIL, lighting	1	Electric Starter
2-2	32120-96310	.COIL, lighting	1	Manual Starter
3	02112-05252	.SCREW	2	
4	08321-21052	.LOCK WASHER	2	
5	32140-96300	.COIL, ignition	1	
6	02112-05202	.SCREW	2	
7	08321-21052	.LOCK WASHER	2	
8	32150-96310	.SENSOR, ignition	1	
9	02112-04122	.SCREW	2	
10	08321-21042	.LOCK WASHER	2	
11	32102-96380	ROTOR	1	
12	02122-05122	SCREW	3	
13	08341-31049	KEY	1	
14	09160-18011	WASHER (18.5x35x4)	1	
15	08310-22182	NUT	1	

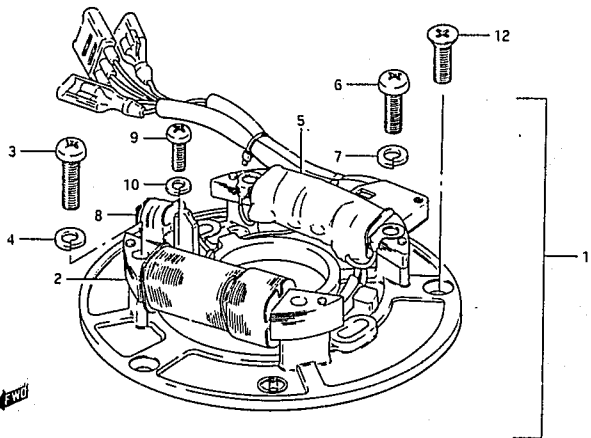
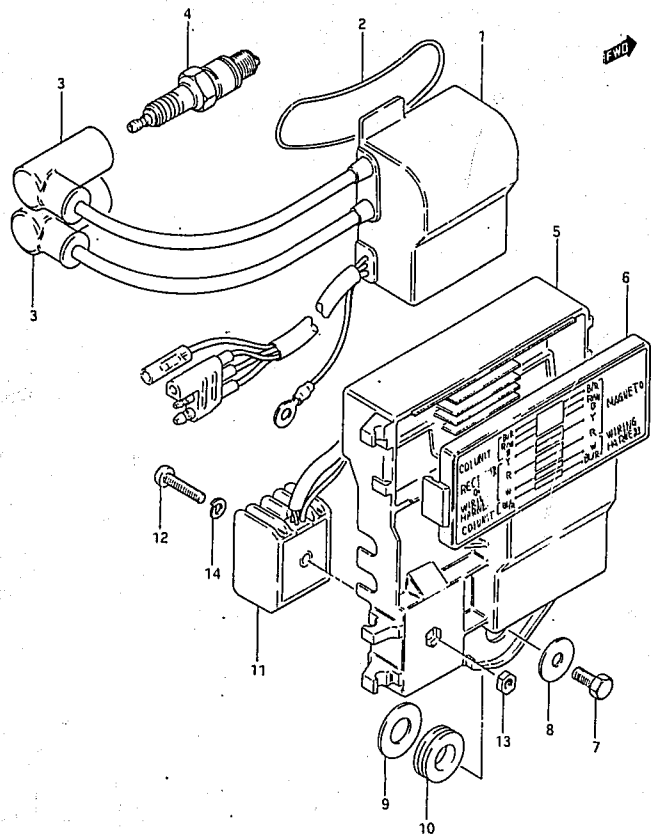




FIG.13

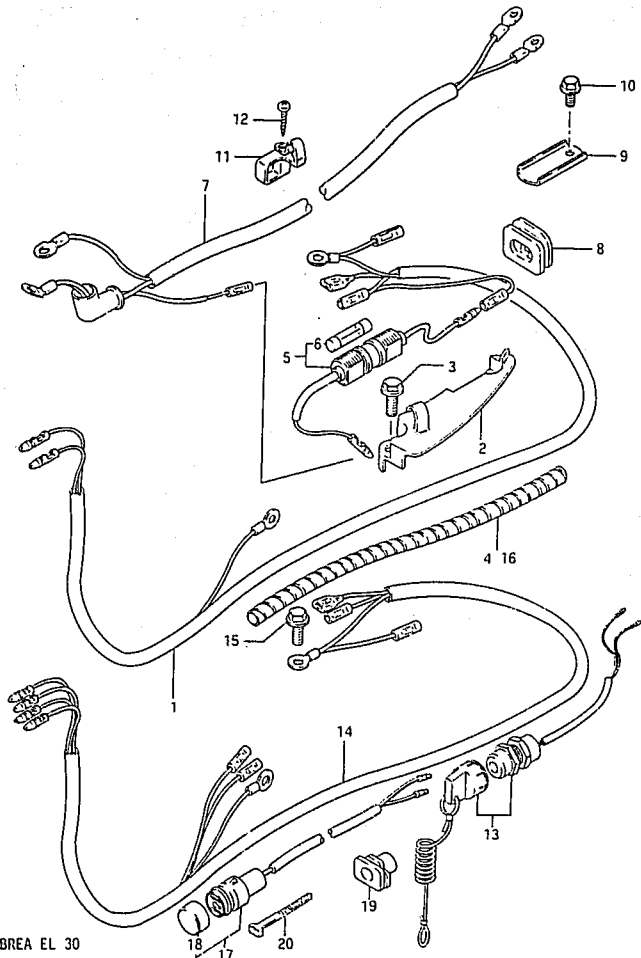


15

FIG.13 ( C- 7) IGNITION

REF.NO.	PART NO.	DESCRIPTION	QTY	REMARKS
1	32960-96340	CDI. UNIT / IGNITION COIL ASSY	1	
2	09280-62001	O RING	1	
3	33510-95510	CAP, spark plug	2	
4	09482-00269	SPARK PLUG (B7HS)	2	
5	32890-96301	HOLDER, electric parts	1	
6	36650-96300	COVER, junction box	1	
7	01107-06127	BOLT	3	
8	09160-06054	WASHER	3	
9	09160-12006	WASHER	3	
10	09320-12011	CUSHION	3	
11	32800-95001	RECTIFIER ASSY	1	ELECTRIC STARTER
12	02112-05252	SCREW	1	ELECTRIC STARTER
13	08310-11052	NUT	1	ELECTRIC STARTER
14	08321-21052	LOCK WASHER	1	ELECTRIC STARTER

FIG. 14



CABREA EL 30

FIG. 14 ( C- 8) ELECTRICAL

REF.NO.	PART NO.	DESCRIPTION	Q'TY	REMARKS
1	36610-96302	WIRING HARNESS	1	ELECTRIC STARTER
2	36619-96304	COVER, wiring harness	1	ELECTRIC STARTER
3	09103-06050	BOLT (6x16)	1	ELECTRIC STARTER
4	38423-95501	TUBE, wiring harness (L:150)	1	ELECTRIC STARTER
5	36740-95252	FUSE CASE ASSY	1	ELECTRIC STARTER
6	09481-20001	.FUSE (20A)	1	ELECTRIC STARTER
7	33810-96305	CABLE, starter	1	ELECTRIC STARTER
8	33811-96300	GROMMET, starter cable	1	ELECTRIC STARTER
9	33815-94501	PROTECTOR, cable	1	ELECTRIC STARTER
10	09103-06049	BOLT	1	ELECTRIC STARTER
11	33816-96300	CLAMP, starter cable	1	ELECTRIC STARTER
12	03242-06259	SCREW	1	ELECTRIC STARTER
13	37820-94430	SWITCH ASSY, emergency	1	
14	36899-96302	WIRING HARNESS	1	MANUAL STARTER
15	09103-06049	BOLT (6x12)	1	MANUAL STARTER
16	33833-95500	TUBE, wiring harness (L:100)	1	MANUAL STARTER
17	39601-93902	RECEPTACLE ASSY, lighting	1	MANUAL STARTER
18	36634-93910	.CAP	1	MANUAL STARTER
19	39603-93900	GROMMET	1	MANUAL STARTER
20	36632-95501	CLAMP	1	MANUAL STARTER

CABREA EL 30

FIG. 15

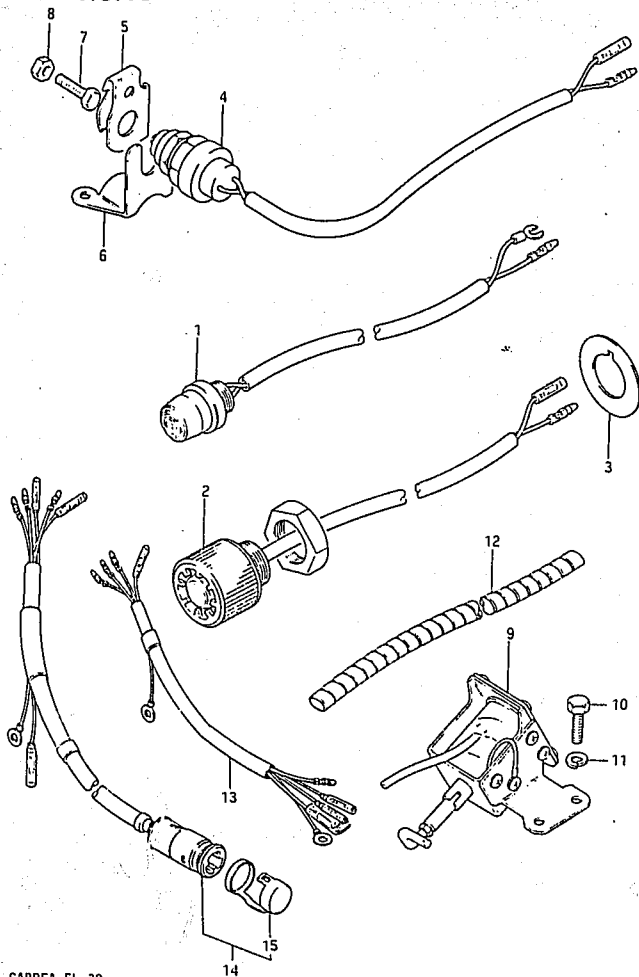


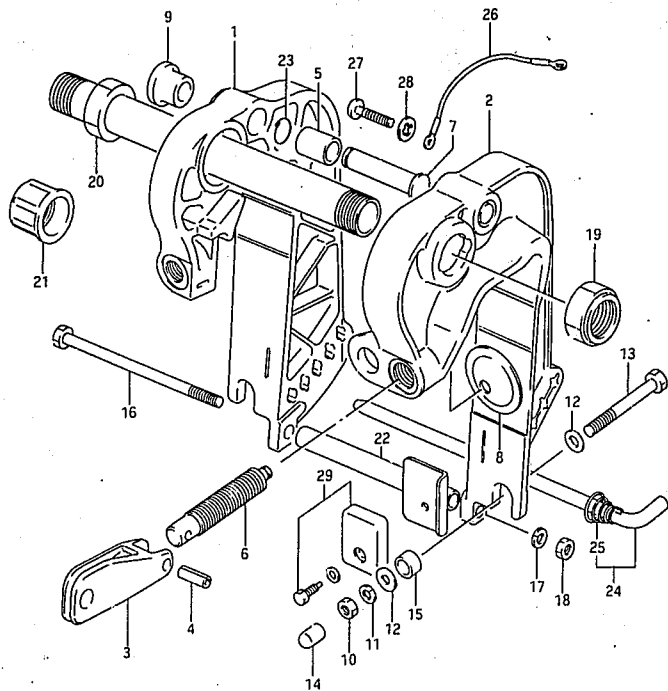
FIG. 15 ( C- 9) ELECTRICAL (ELECTRIC STARTER TYPE)

REF.NO.	PART NO.	DESCRIPTION	Q'TY	REMARKS
1	37800-93950	SWITCH, stop	1	
2	37160-96310	SWITCH, start	1	
3	37142-94302	WASHER, ignition switch	2	
4	37721-96354	SWITCH, neutral	1	
5	37725-95300	ACTUATOR, neutral switch	1	
6	37726-96302	BRACKET, neutral switch	1	
7	09100-05104	BOLT	1	
8	09140-05001	NUT	1	
9	38600-96301	SOLENOID, choke	1	W/REMOCON
10	09100-05004	BOLT (5x12)	2	W/REMOCON
11	09162-05002	LOCK WASHER	2	W/REMOCON
12-1	38423-95501	TUBE, wiring harness (L:150)	1	W/REMOCON
12-2	34863-94500	TUBE, wiring harness (L:50)	1	W/REMOCON
13	36630-96310	WIRING HARNESS, remo-con,1	1	W/REMOCON
14	36630-96321	WIRING HARNESS, remo-con,2	1	W/REMOCON
15	36631-94300	.CAP	1	W/REMOCON

FIG. 16

18

FIG.16 ( D-2 ) CLAMP BRACKET

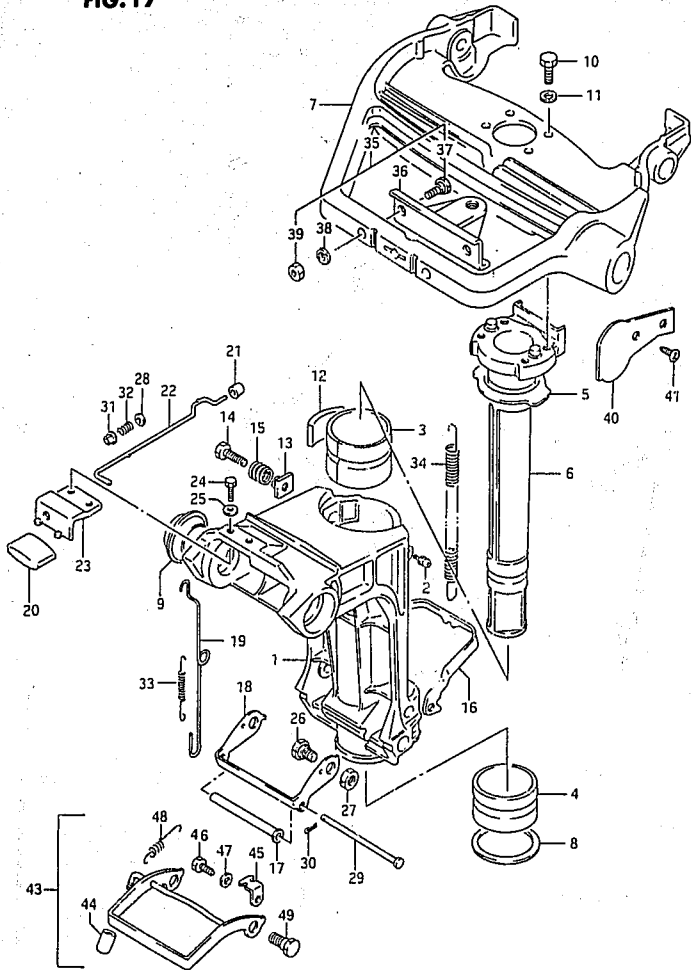


Q'TY

REMARKS

REF.NO.	PART NO.	DESCRIPTION	Q'TY	REMARKS
1	41110-96305-10V	BRACKET, clamp, STBD	1	
2	41120-96340-10V	BRACKET, clamp, PORT	1	
3	41212-93000-10V	HANDLE, clamp	2	
4	09205-06012	SPRING PIN	2	
5	09303-14002	BUSH	1	
6-1	41211-93910	SCREW, clamp (L:78)	2	
6-2	41211-93920	SCREW, clamp (L:90)	2	
6-3	41211-93900	SCREW, clamp (L:68)	2	OPT
7	41222-96311	PIN, tilt stopper	1	
8	41213-98100	PLATE, clamp	2	
9	41221-96300	KNOB, tilt stopper	1	
10	09140-08016	NUT	2	
11	09162-08007	LOCK WASHER	2	
12	09160-08081	WASHER (8.5x23x1.5)	4	
13	09100-08239	BOLT (8x90)	2	
14	41153-96300	CAP	2	
15	09180-09016	SPACER (9.2x13.8x9.5)	2	
16	09100-08196	BOLT (8x152)	1	
17	09162-08007	LOCK WASHER	1	
18	09140-08016	NUT	1	
19	09159-22003	NUT	1	
20	41130-96330	SHAFT, clamp bracket	1	
21	41151-94500	CAP	2	
22	41310-96301	ROD, clamp bracket lower	1	
23	09380-12005	SPRING	1	
24	45420-96310	PIN, tilt lock	1	
25	09441-17001	.SPRING	1	
26	36894-95200	LEAD	1	
27	09125-05050	SCREW	2	
28	09161-05014	WASHER	2	
29	55320-95310	ZINC, protection	1	

FIG.17 ( D- 3) SWIVEL BRACKET

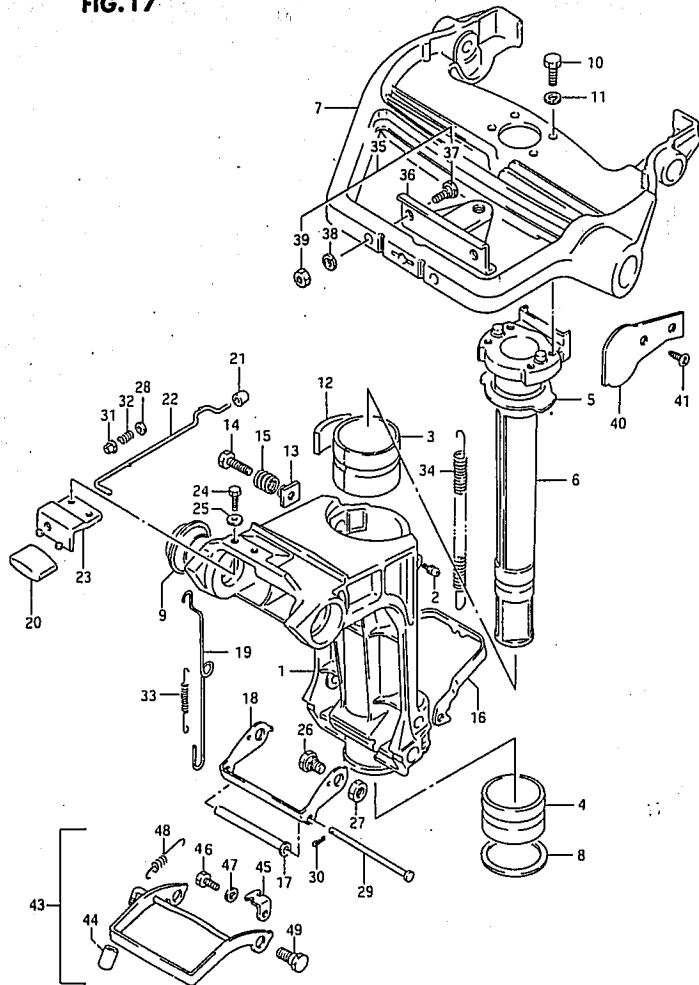


CABREA EL 30

REF.NO.	PART NO.	DESCRIPTION	Q'TY	REMARKS
1	43111-96323-10V	BRACKET, swivel	1	
2	22511-99003	NIPPLE, clutch body	4	
3	43711-96301	BUSH, steering upper	1	
4	43712-96301	BUSH, steering under	1	
5	43721-96301	PLATE, upper bush	1	
6	43741-96302-10V	SHAFT, pilot	1	
7-1	43751-96304-10V	BRACKET, steering	1	
7-2	43751-96322-10V	BRACKET, STEERING	1	W/REMOCON
8	09160-40005	WASHER (40x58x2)	1	
9	09306-22004	BUSH (OD:40)	2	
10	09100-08219	BOLT	4	
11	09162-08003	LOCK WASHER	4	
12	43411-96300	ADJUSTER, steering	1	
13	43421-96301	BUSH	1	
14	09119-08044	BOLT	1	
15	09440-13045	SPRING	1	
16	45231-96303	ARM, reverse lock	1	
17	45246-96302	SPACER	1	
18	45241-96303	LINK, reverse lock arm	1	
19	45252-96302	LINK, release lever	1	
20	45255-96300	KNOB, release lever	1	
21	45257-96300	BUSH, release lever	1	
22	45260-96300	LEVER, release	1	
23	45311-96302-10V	BRACKET, release lever	1	
24	09100-05011	BOLT (5x12)	2	
25	09160-05010	WASHER	2	
26	09111-10034	BOLT	2	
27	09140-10032	NUT	2	

CABREA EL 30

FIG. 17



CABREA EL 30

20

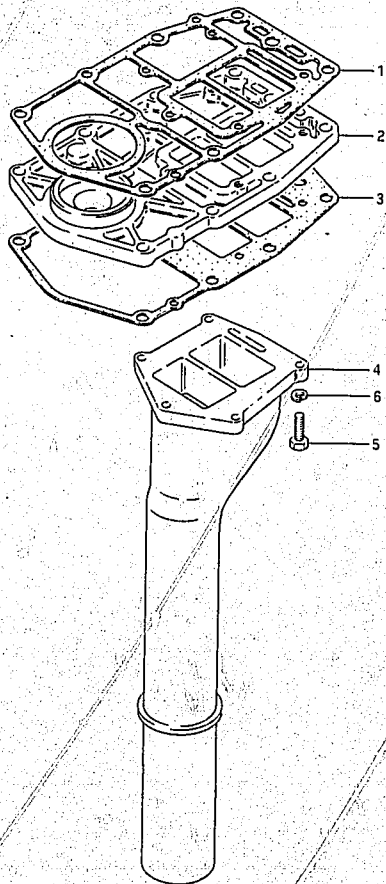
FIG.17 ( D- 4) SWIVEL BRACKET

REF.NO.	PART NO.	DESCRIPTION	Q'TY	REMARKS
28	09160-04012	WASHER (4.2x10x1)	1	
29	09200-05011	PIN	1	
30	09204-01001	COTTER PIN	1	
31	09319-04001	BUSH	1	
32	09440-04021	SPRING	1	
33	09443-05013	SPRING	1	
34	09443-09036	SPRING	1	
35	67100-96300	ATTACHMENT SET, steering bracket	1	OPT
36	43755-96301	.ATTACHMENT, steering bracket	1	OPT
37	09100-08224	.BOLT (8x35)	2	OPT
38	09162-08007	.LOCK WASHER	2	OPT
39	09140-08016	.NUT	2	OPT
40	43754-94301-10V	COVER, steering	1	W/REMOCON
41	09132-05024	SCREW	2	W/REMOCON
43	45700-96313	SHALLOW DRIVE ASSY	1	
44	45255-95500	.KNOB	1	
45	45731-96310	.PLATE	1	
46	09100-06102	.BOLT	1	
47	09162-06001	.LOCK WASHER	1	
48	09443-08031	.SPRING	1	
49	09111-10032	.BOLT	2	

CABREA EL 30

D4

FIG. 18



21

FIG. 18 ( D- 5) EXHAUST TUBE

REF. NO.	PART NO.	DESCRIPTION	Q'TY	REMARKS
1	11433-96302	GASKET, lower oil seal housing	1	
2	11431-96310	HOUSING, under oil seal	1	
3	52113-96304	GASKET, drive shaft housing	1	
4-1	14211-96340	TUBE, exhaust (A)	1	L:255
4-2	14211-96330	TUBE, exhaust (B)	1	L:280
5	09100-06117	BOLT (6x35)	5	
6	09162-06001	LOCK WASHER	5	

FIG. 19

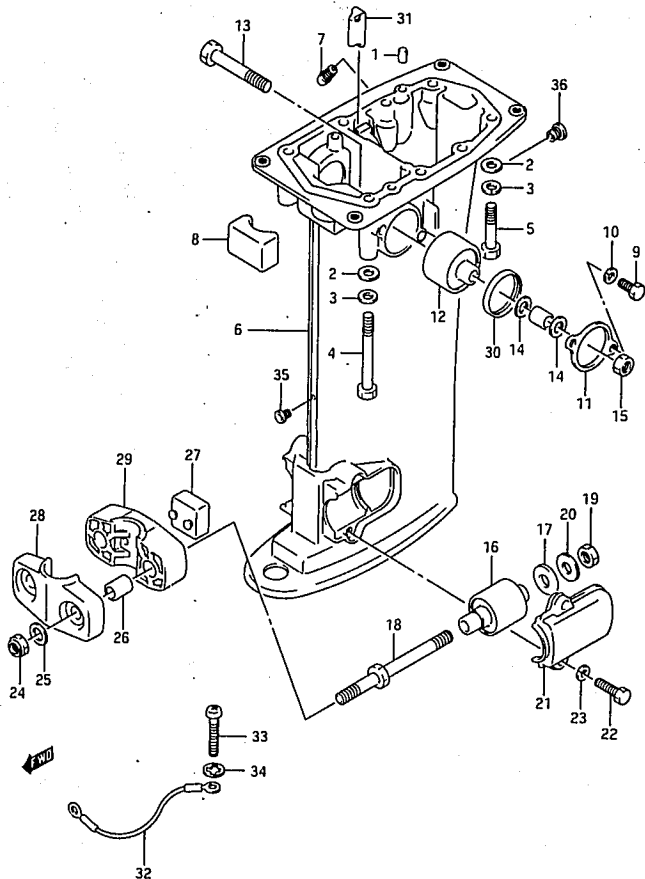


FIG. 19 ( D- 6) DRIVESHAFT HOUSING

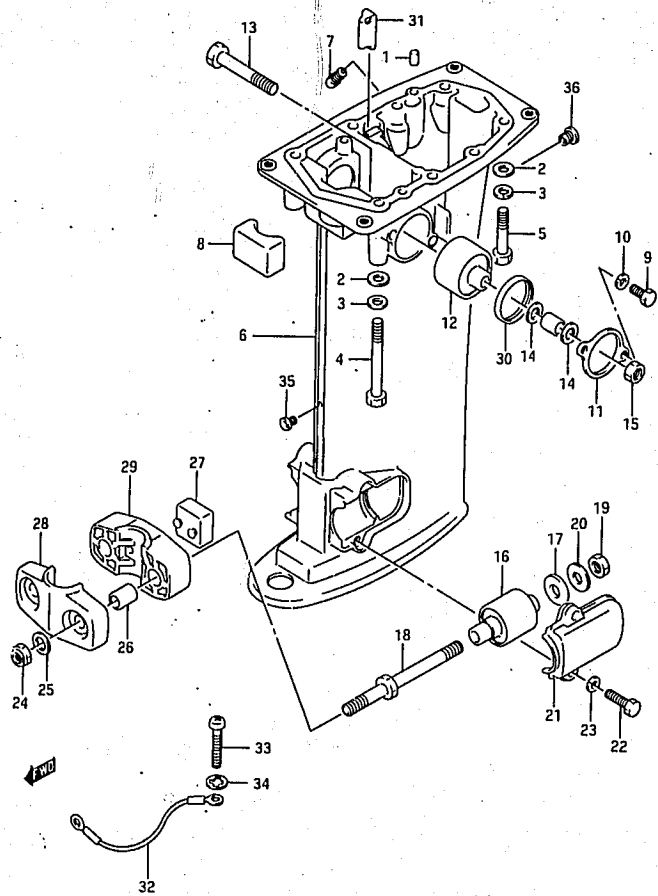
REF.NO.	PART NO.	DESCRIPTION	Q'TY	REMARKS
1	09202-06015	PIN	4	
2	09160-08015	WASHER	8	
3	09162-08003	LOCK WASHER	8	
4	09100-08203	BOLT (8x85)	4	
5	09100-08204	BOLT (8x50)	4	
6-1	52111-96324-10V	HOUSING, drive shaft (A)	1	A= SHORTSHAFT 15"
6-2	52111-96333-10V	HOUSING, drive shaft (B)	1	B= LONGSHAFT 20"
7	52117-94400	TUBE, water inspection	1	
8	54121-96301	MOUNTING, upper thrust reverse	1	
9	09100-06102	BOLT	4	
10	09162-06001	LOCK WASHER	4	
11	54137-96301-10V	COVER, upper mounting	2	
12	54130-96310	MOUNTING, upper (A/B)	2	
13	09100-10260	BOLT (10x75)	2	
14	09160-10082	WASHER (10.5x19x2)	4	
15	09159-10050	NUT	2	
16	54160-96310	MOUNTING, lower (A/B)	2	
17	54165-96310	DAMPER, reverse stopper	2	
18	54166-96301	BOLT, lower mounting	2	
19	09140-10032	NUT	2	
20	09160-10083	WASHER	2	
21	54221-96301-10V	COVER, lower mounting	2	
22	09100-06104	BOLT	4	
23	09162-06001	LOCK WASHER	4	
24	09159-10050	NUT	2	
25	09160-10082	WASHER (10.5x19x2)	2	
26	09180-10102	SPACER	2	
27	54151-96300	MOUNTING, lower thrust	1	



FIG.19

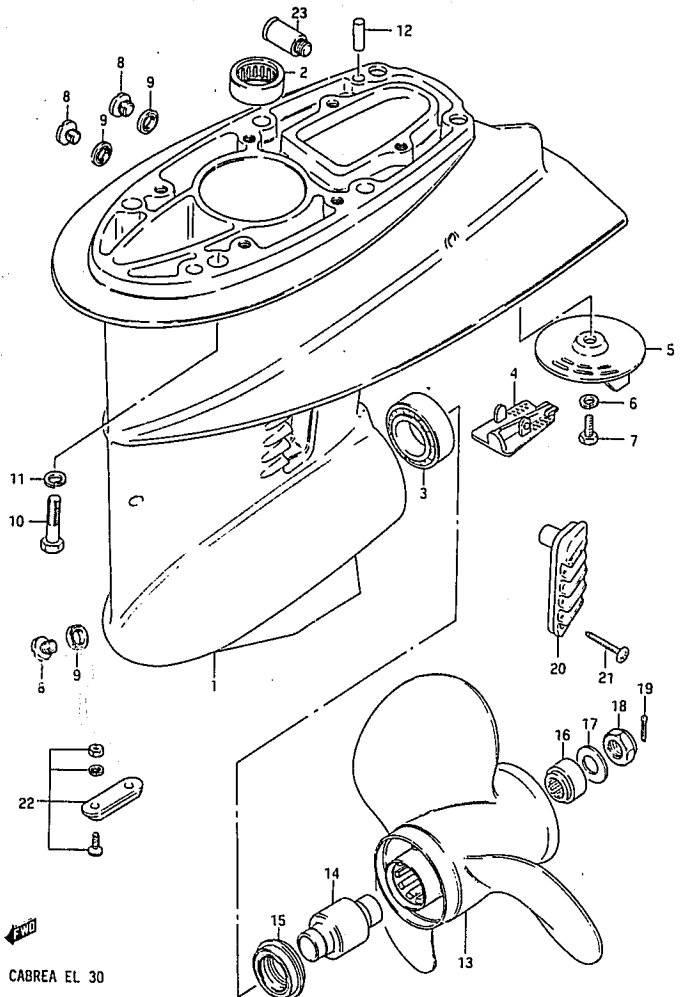
23

FIG.19 ( D- 7) DRIVESHAFT HOUSING



REF.NO.	PART NO.	DESCRIPTION	Q'TY	REMARKS
28	54211-96310-10V	BRACKET, lower mount forward	1	
29	54212-96302-10V	BRACKET, lower mount aft	1	
30	54138-96300	SLEEVE, upper mounting	2	
31	17568-96300	PLUG, driveshaft housing	1	
32	36894-95200	LEAD	1	
33	09125-05050	SCREW	2	
34	09161-05014	WASHER	2	
35	52124-93901	BUSH, drain hole No.1	3	
36	52125-96300	BUSH, drain hole No.2	2	

FIG. 20

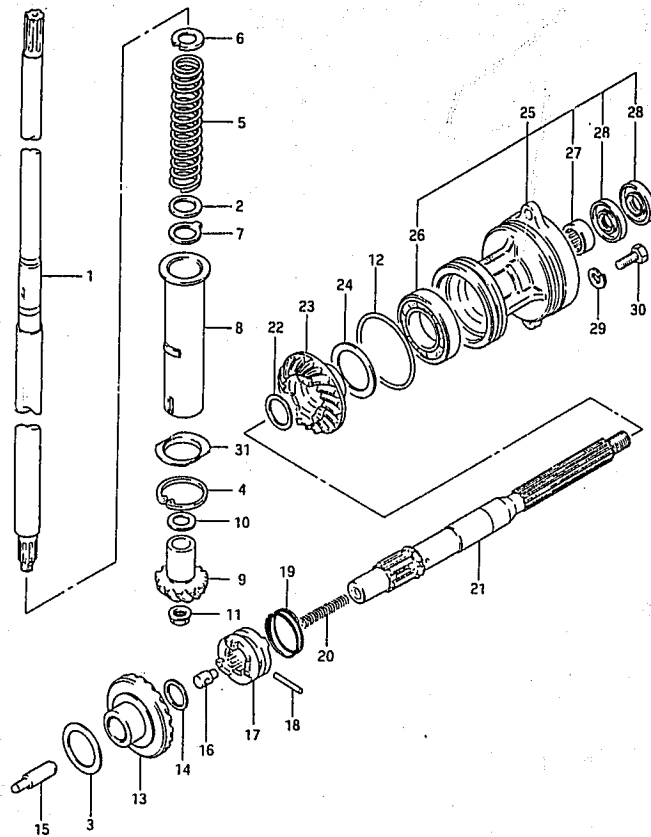


24

FIG. 20 ( D- 8) GEAR CASE

REF.NO.	PART NO.	DESCRIPTION	Q'TY	REMARKS
1	55100-96302-10V	CASE ASSY, gear	1	
2	09263-20046	.BEARING (20.63x26.98x25.4)	1	
3	09265-25015	.BEARING	1	
4	55114-96301	.COVER, gear case	1	
5	55125-96302	TRIM TAB	1	
6	09162-08003	LOCK WASHER	1	
7	09100-08215	BOLT	1	
8	09248-10005	PLUG	3	
9	09168-10022	GASKET (10x17x1.5)	3	
10	09100-08224	BOLT (8x35)	6	A/B TYPE
11	09162-08007	LOCK WASHER	6	A/B TYPE
12	09202-06015	PIN	2	
13-1	58100-96400-10V	PROPELLER (3x10-1/4x9)	1	P901
13-2	58100-96410-10V	PROPELLER (3x10-1/4x10)	1	P1001
13-3	58100-96420-10V	PROPELLER (3x10-1/4x11)	1	P1101
13-4	58100-96430-10V	PROPELLER (3x10-1/4x12)	1	P1201
13-5	58100-96440-10V	PROPELLER (3x10-1/4x13)	1	P1301
13-6	58200-96400	PROPELLER (3x10-1/4x13)	1	PS1300, stainless steel
13-7	58100-95000-10V	PROPELLER (3x10-1/4x14)	1	P1401
13-8	58100-96460-10V	PROPELLER (3x10-1/4x15)	1	P1501
14	58120-96400	.BUSH	1	
15	57632-96400	STOPPER, propeller bush	1	
16	57633-96300	SPACER	1	
17	09160-14028	WASHER (14.5x30x2.5)	1	
18	09159-14011	NUT	1	
19	09204-03004	COTTER PIN	1	
20	17631-96310	FILTER, water	2	
21	03142-04259	TAPPING SCREW	2	
22	55300-95500	ZINC, protector	1	OPT
23	55181-95200	ATTACHMENT, flush hose	1	OPT

FIG. 21



CABREA EL 30

25

FIG. 21 ( D- 9) TRANSMISSION

Q'TY

REF.NO.	PART NO.	DESCRIPTION	Q'TY	REMARKS
1-1	57110-96311	SHAFT, drive (A)	1	A= SHORTSHAFT 15"
1-2	57110-96301	SHAFT, drive (B)	1	B= LONGSHAFT 20"
2	08211-20253	THRUST WASHER	1	
3-1	08221-25366	WASHER (T:0.8)	1	
3-2	09181-25022	WASHER (T:0.9)	1	
3-3	08211-25401	WASHER (T:1.0)	0-1	
3-4	09160-25032	WASHER (T:1.1)	0-1	
3-5	09160-25033	WASHER (T:1.2)	0-1	
3-6	09160-25034	WASHER (T:1.3)	0-1	
3-7	09160-25035	WASHER (T:1.4)	0-1	
3-8	08211-25402	WASHER (T:1.5)	0-1	
4	08331-21409	CIRCLIP	1	
5	09440-25002	SPRING	1	
6	09166-17005	WASHER	1	
7	09167-20021	WASHER	1	
8	57133-96302	SPACER, preload spring	1	
9	57311-96310	PINION	1	
10-1	09160-15030	WASHER (T:1.7)	0-1	
10-2	09160-15031	WASHER (T:1.8)	0-1	
10-3	09160-15032	WASHER (T:1.9)	0-1	
10-4	08211-15203	WASHER (T:2.0)	0-1	
10-5	09160-15033	WASHER (T:2.1)	0-1	
10-6	08211-15204	WASHER (T:2.2)	0-1	
11	09159-08046	NUT	1	
12	09280-75002	O RING	1	
13	57510-96312	GEAR, foward	1	
14	08211-16242	WASHER (T:1.5)	1	
15	57631-96301	ROD, push	1	
16	09209-08016	PIN	1	

CABREA EL 30

D9

FIG. 21

26

FIG. 21 ( D-10) TRANSMISSION

Q'TY

REF. NO.	PART NO.	DESCRIPTION	REMARKS
17	57621-96300	SHIFTER, clutch dog	1
18	09202-05021	PIN	1
19	09440-35004	SPRING	1
20	09440-07041	SPRING	1
21	57610-96303	SHAFT, propeller	1
22-1	08221-20256	WASHER (T:0.8)	0-1
22-2	09160-20035	WASHER (T:0.9)	0-1
22-3	08211-20251	WASHER (T:1.0)	0-1
22-4	09160-20036	WASHER (T:1.1)	0-1
22-5	09160-20037	WASHER (T:1.2)	0-1
22-6	09160-20038	WASHER (T:1.3)	0-1
23	57521-96311	GEAR, reverse	1
24-1	08211-30401	THRUST WASHER (1:1)	0-1
24-2	08221-30404	THRUST WASHER (T:0.2)	0-2
24-3	08221-30405	THRUST WASHER (T:0.5)	0-1
24-4	08221-30406	THRUST WASHER (T:0.8)	0-1
25	56120-96301-10V	HOUSING, propeller shaft brg	1
26	08113-60060	.BEARING	1
27	09263-20047	.BEARING (20x26x20)	1
28	09289-20009	.3TL SCAL (20x34x6.5)	2
29	09162-06001	LOCK WASHER	2
30	09100-06136	BOLT	2
31	57134-96301	BARRIER	1

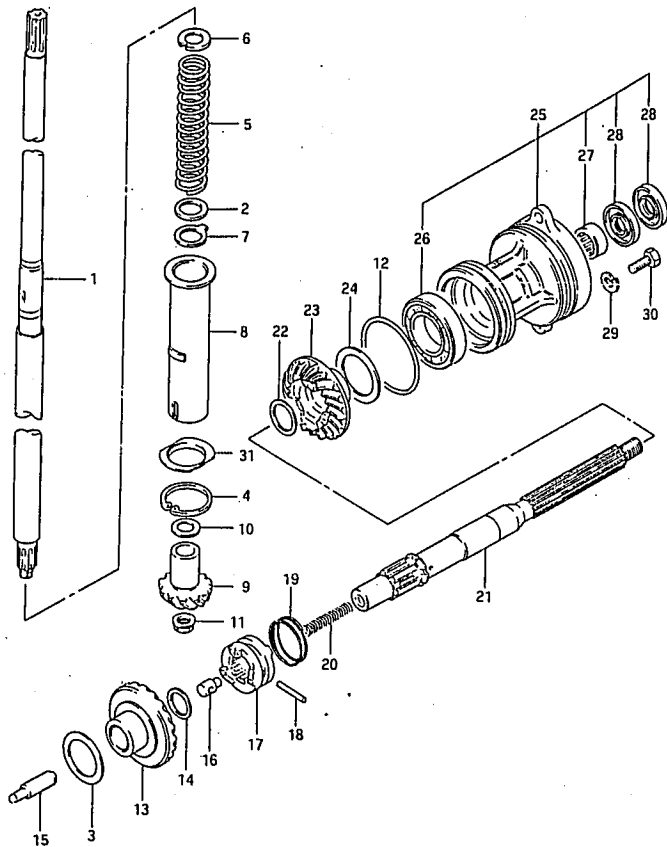
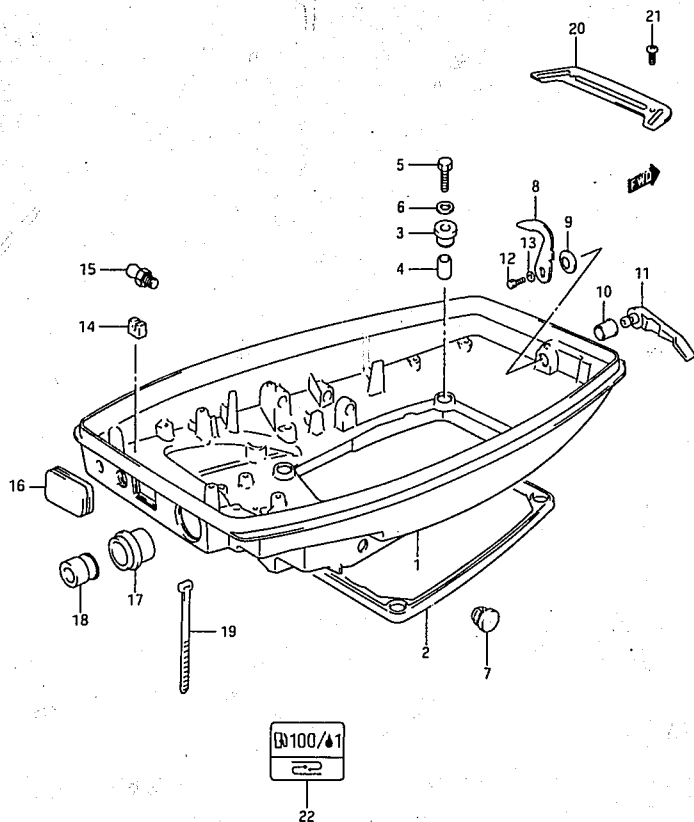


FIG. 22

27

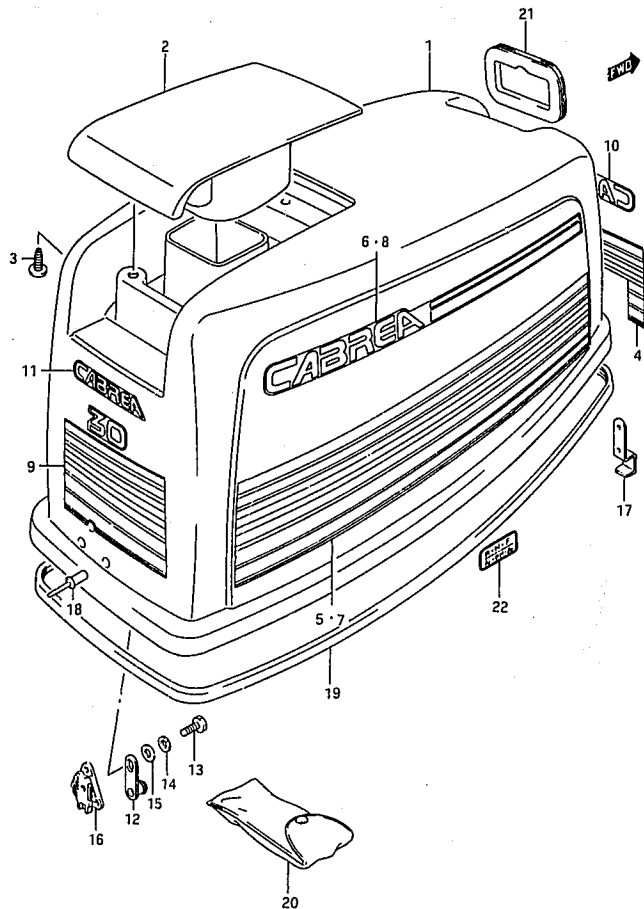
FIG. 22 ( E- 2) UNDER COVER



Q'TY

REF.NO.	PART NO.	DESCRIPTION	Q'TY	REMARKS
1	61110-96304-10V	COVER, engine under	1	
2	61113-96300	SEAL, under cover	1	
3	09320-10031	CUSHION, under cover	4	
4	09180-06112	SPACER (6.8x10x11.5)	4	
5	09100-06120	BOLT	4	
6	09160-06099	WASHER	4	
7	09250-08007	CAP, cushion	2	
8	61631-94410	HOOK, under cover	1	
9	09164-13005	WASHER	1	
10	09306-13002	BUSH	1	
11	61633-96002-10V	LEVER, hook	1	
12	01107-06102	BOLT	1	
13	08322-21062	WASHER	1	
14	13625-94300	CAP, choke rod guide	1	
15	22511-99003	NIPPLE, clutch notch	1	
16	63625-94300	CAP	1	W/REMOCON
17	36612-94301	GROMMET, No.1	1	W/REMOCON
18	36613-94300	GROMMET, No.2	1	W/REMOCON
19	36632-95501	CLAMP	1	W/REMOCON
20	61138-96301	COVER, water	1	
21	09125-06069	BOLT	2	
22	65327-98400	MARK, mix ratio cover	1	

FIG. 23



CABREA EL 30

28

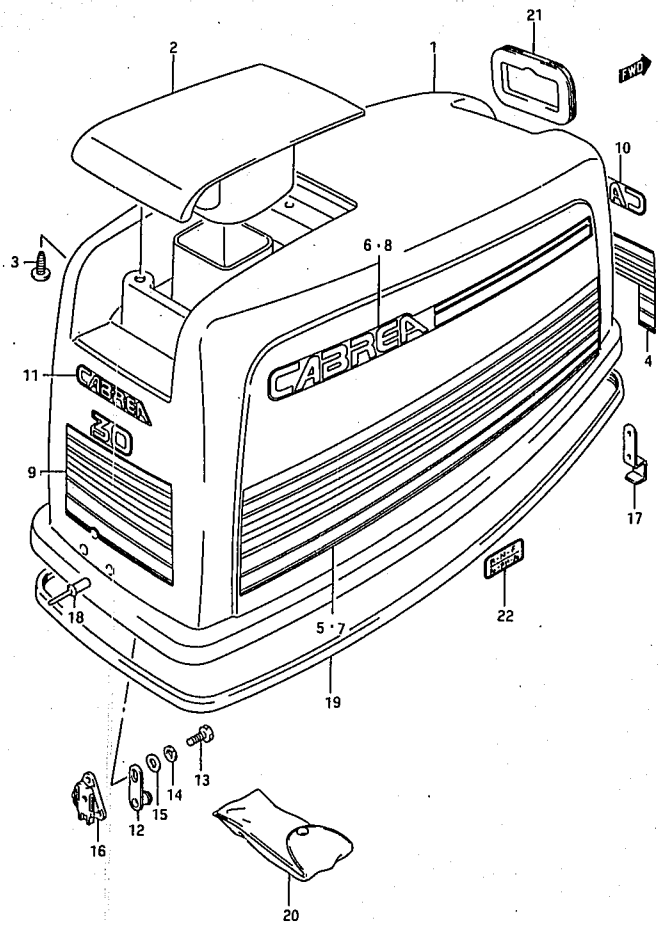
FIG.23 ( E-3 ) ENGINE COVER

REF.NO.	PART NO.	DESCRIPTION	Q'TY	REMARKS
1-1	61402-96810-10V	COVER SET, engine	1	DECAL:GOLD
1-2	61402-96820-33X	COVER SET, engine	1	DECAL:BLUE
1-3	61402-96830-34X	COVER SET, engine	1	DECAL:BLACK
2	61431-96301-10V	.HANDLE, tilt up	1	
3	03242-06169	.SCREW	3	
4-1	61422-96330-2MN	.MARK, emblem front (Gold)	1	DECAL:10V
4-2	61422-96330-8LB	.MARK, emblem front (Blue)	1	DECAL:33X
4-3	61422-96330-2MP	.MARK, emblem front (Gray)	1	DECAL:34X
5-1	61443-96330-2MN	.DECAL, lower STBD (Gold)	1	DECAL:10V
5-2	61443-96330-8LB	.DECAL, lower STBD (Blue)	1	DECAL:33X
5-3	61443-96330-2MP	.DECAL, lower STBD (Gray)	1	DECAL:34X
6-1	61444-96330-2MR	.DECAL, upper STBD (Gold)	1	DECAL:10V
6-2	61444-96330-2MS	.DECAL, upper STBD (Blue)	1	DECAL:33X
6-3	61444-96330-2MT	.DECAL, upper STBD (Gray+Red)	1	DECAL:34X
7-1	61453-96330-2MN	.DECAL, lower port (Gold)	1	DECAL:10V
7-2	61453-96330-8LB	.DECAL, lower port (Blue)	1	DECAL:33X
7-3	61453-96330-2MP	.DECAL, lower port (Gray)	1	DECAL:34X
8-1	61454-96330-2MR	.DECAL, upper port (Gold)	1	DECAL:10V
8-2	61454-96330-2MS	.DECAL, upper port (Blue)	1	DECAL:33X
8-3	61454-96330-2MT	.DECAL, upper port (Gray+Red)	1	DECAL:34X
9-1	61435-96330-2MN	.MARK, emblem, rear (Gold)	1	DECAL:10V
9-2	61435-96330-8LB	.MARK, emblem, rear (Blue)	1	DECAL:33X
9-3	61435-96330-2MP	.MARK, emblem, rear (Gray)	1	DECAL:34X
10-1	61441-93910-7ZR	.MARK, ornament, front (Black)	1	DECAL:10V
10-2	61441-93910-8LB	.MARK, ornament, front (Blue)	1	DECAL:33X
10-3	61441-93910-2MP	.MARK, ornament, front (Gray)	1	DECAL:34X
11-1	61441-93930-7ZR	.MARK, ornament, rear (Black)	1	DECAL:10V
11-2	61441-93930-8LB	.MARK, ornament, rear (Blue)	1	DECAL:33X
11-3	61441-93930-2MP	.MARK, ornament, rear (Gray)	1	DECAL:34X

CABREA EL 30

E3

FIG. 23



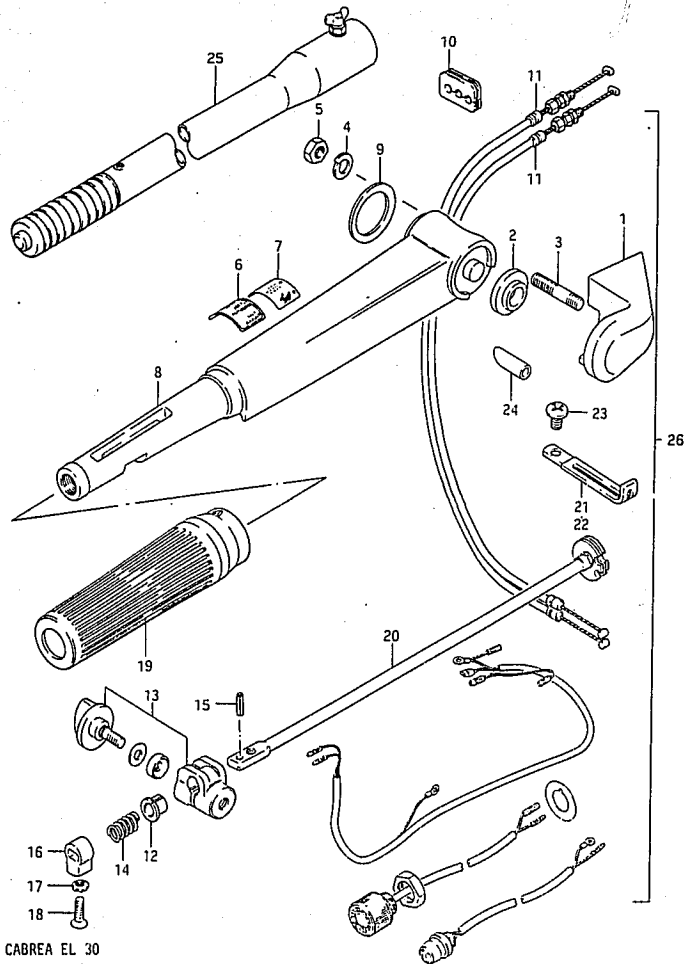
29

FIG. 23 ( E- 4) ENGINE COVER

REF.NO.	PART NO.	DESCRIPTION	Q'TY	REMARKS
12	61610-96310	.FASTENER	1	
13	01107-06122	.BOLT	1	
14	08321-21062	.LOCK WASHER	1	
15	08322-21062	.WASHER	1	
16	61621-96302	.BRACKET, fastener	1	
17	61412-96300	.HOOK, cover	1	
18	09229-04018	.RIVET	5	
19	61112-96302	RUBBER, under cover	1	
20	09800-81800	TOOL SET	1	
21	61622-96301	SEAL, rubber	1	
22	21131-96003	MARK, clutch shift	1	

FIG. 24

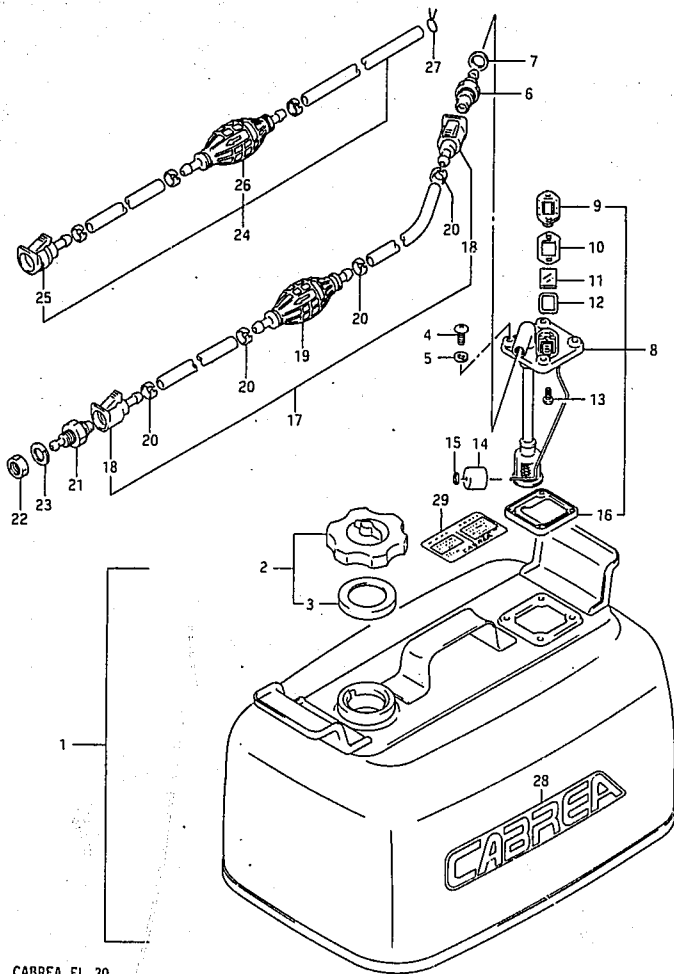
FIG. 24 ( E- 5) HANDLE



REF.NO.	PART NO.	DESCRIPTION	Q'TY	REMARKS
1	63121-96302-10V	COVER, tiller handle	1	
2	63114-94300	SPACER, handle cover	1	
3	09108-08147	STUD BOLT	2	
4	09162-08007	LOCK WASHER	2	
5	09140-08016	NUT	2	
6	63215-93400	MARK, handle grip	1	
8	63111-96311-10V	HANDLE, tiller	1	
9	63115-96301	SPACER	1	
10	63625-96300	GROMMET	2	
11	63610-96301	CABLE, throttle	1	
12	63225-93200	BUSH, handle rod	1	
13	63240-96300	ADJUSTER SET, handle grip	1	
14	09440-12027	SPRING	1	
15	63227-93200	PIN, handle rod	1	L:14
16	63223-93201	STOPPER, handle rod	1	
17	09163-06001	LOCK WASHER	1	
18	09126-06006	SCREW	1	
19	63210-93901	GRIP, handle	1	
20	63220-96300	ROD, handle	1	
21	09404-06203	CLAMP	1	
22	09404-06204	CLAMP	1	
23	09125-06033	SCREW	1	
24	63117-96300	COVER, stop switch wire	1	
25	63300-93900	BAR ASSY, extension	1	OPT
26	63001-96300-10V	TILLER HANDLE ASSY	1	OPT



FIG. 25



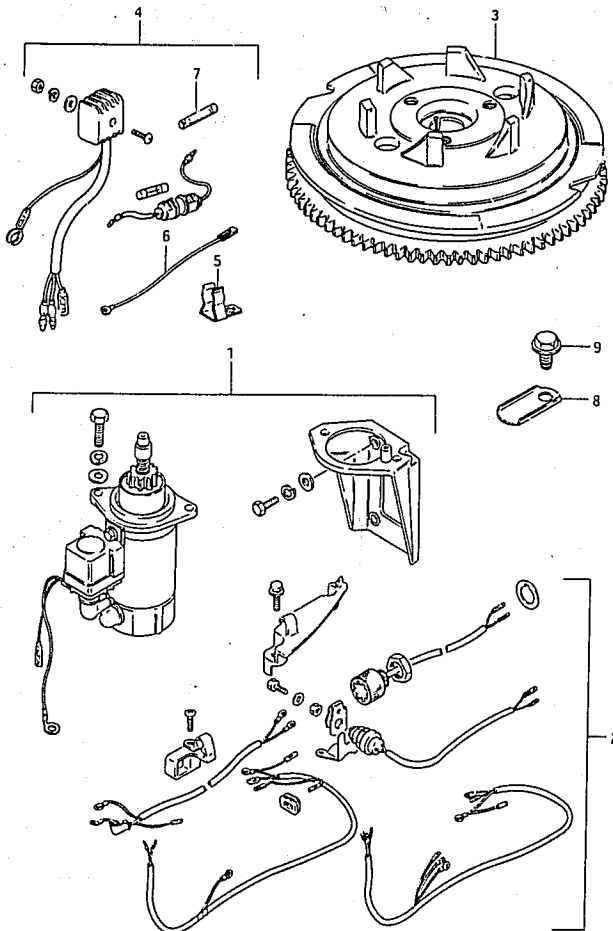
CABREA EL 30

FIG.25 ( E- 6) FUEL TANK

REF.NO.	PART NO.	DESCRIPTION	Q'TY	REMARKS
1	65800-92830	TANK SET, fuel (24L)	1	6.3 U.S GAL/5.3 IMP GAL
2	65510-92000	.CAP ASSY, separate tank	1	
3	65561-92000	..GASKET, tank cap	1	
4	02152-06162	.SCREW	4	
5	09168-06026	.GASKET	4	
6	65720-94411	.CONNECTOR, fuel	1	
7	09168-12015	.GASKET, connector	1	
8	65850-92001	.GAUGE ASSY, fuel	1	
9	65855-92000	..COVER, gauge	1	
10	65854-92D20	..GASKET	1	
11	65853-92000	..LENS	1	
12	65854-92D30	..GASKET, lens	1	
13	03242-04109	..SCREW	2	
14	65864-92000	..FLOAT	1	
15	65866-92000	..NUT, push	1	
16	65871-92000	..GASKET, fuel	1	
17	65700-87D15	HOSE, fuel	1	W/TANK
18	65750-94403	.CONNECTOR, fuel	2	W/TANK
19	65770-95503	.PUMP, squeeze	1	W/TANK
20	65781-98500	.CLIP	4	W/TANK
21	65720-94401	CONNECTOR, fuel	1	
22	08310-22102	NUT	1	
23	08321-21102	LOCK WASHER	1	
24	65700-98581	HOSE, fuel	1	N/TANK OPT
25	65750-94403	.CONNECTOR, fuel	1	N/TANK OPT
26	65770-93902	.PUMP, squeeze	1	N/TANK OPT
27	09401-11402	.CLIP	3	N/TANK OPT
28	61441-93940	MARK, ornament fuel tank	1	
29	65316-87D50	MARK, fuel caution	1	

CABREA EL 30

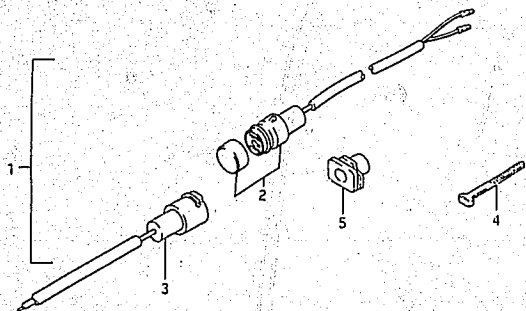
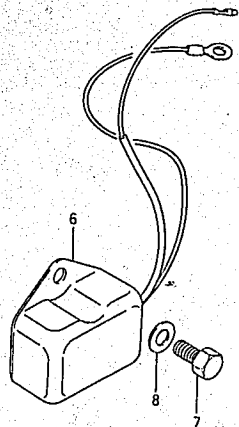
FIG. 26 ( F- 2) OPTIONAL : ELECTRICAL (MANUAL STARTER)



REF.NO.	PART NO.	DESCRIPTION	Q'TY	REMARKS
1	31101-96300	MOTOR SET, starter	1	
2	33800-96301	SWITCH, starter/cable set	1	
3	32102-96380	ROTOR	1	
4	32801-96301	RECTIFIER SET	1	
5	36791-95200	.HOLDER	1	
6	36898-93300	.LEAD, wire	1	
7	37132-93700	.WIRE, connector	1	
8	33815-94501	PROTECTOR, cable	1	
9	09103-06049	BOLT (6x12)	1	

FIG. 27

FIG. 27 ( F- 3) OPTIONAL : ELECTRICAL (MANUAL STARTER)

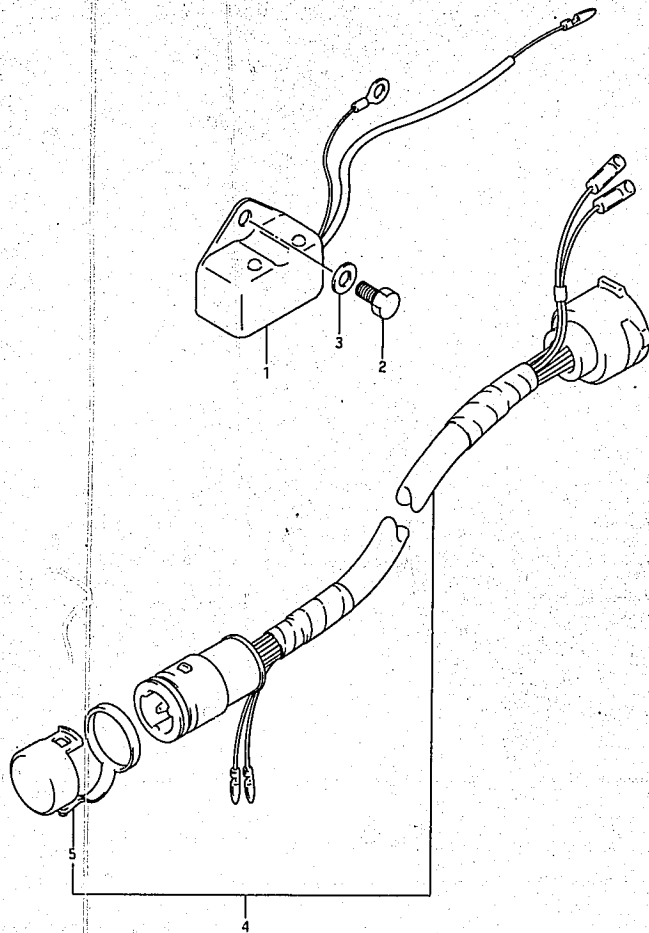


REF.NO.	PART NO.	DESCRIPTION	Q'TY	REMARKS
1	39600-93900	CONSENT SET	1	
2	39601-93902	.CONSENT ASSY, lamp	1	
3	39602-93900	.PLUG ASSY, lamp cord	1	
4	36632-95501	.CLAMP	1	
5	39603-93900	.GROMMET	1	
6	32500-95722	REGULATOR, voltage	1	
7	01107-06122	BOLT	2	
8	08322-21062	WASHER	2	

**FIG.28**

34

**FIG.28 ( F- 4) OPTIONAL : ELECTRICAL (ELECTRIC STARTER)**



REF.NO.	PART NO.	DESCRIPTION	Q' TY	REMARKS
1	32500-95722	REGULATOR, voltage	1	
2	01107-06122	BOLT	2	
3	08322-21062	WASHER	2	
4	36620-87D20	WIRING HARNESS, extension	1	
5	36631-94300	.CAP.	1	

FIG. 29

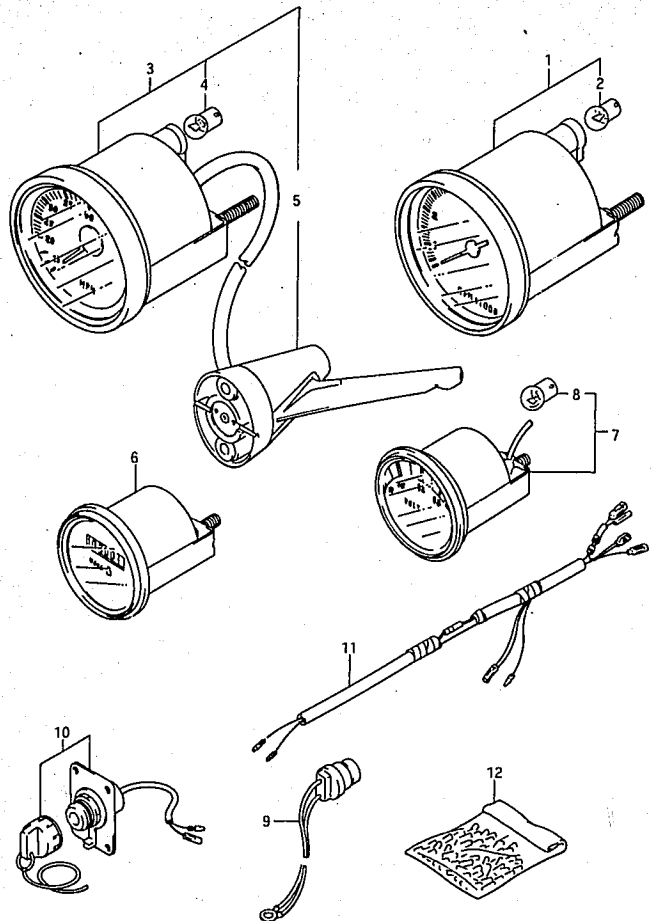
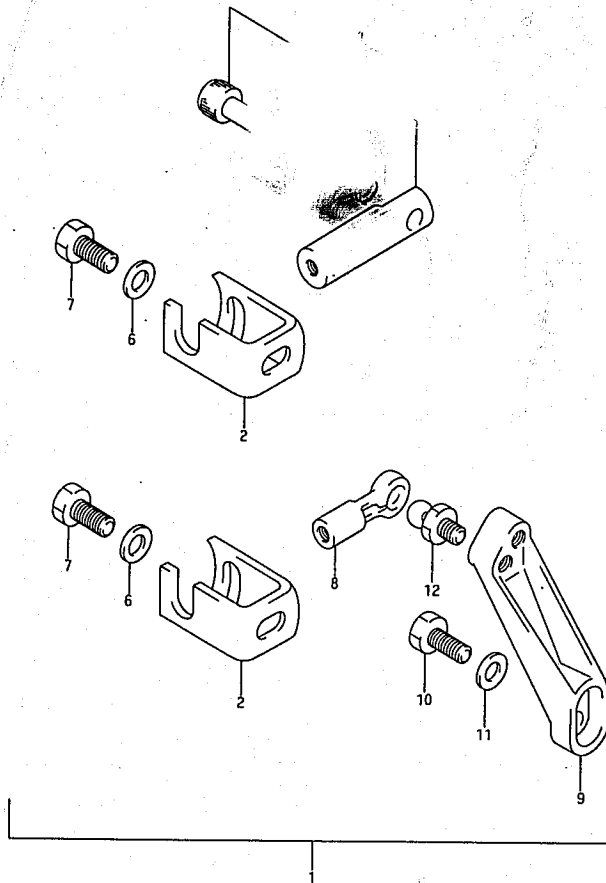


FIG. 29 ( F- 5) OPTIONAL : ELECTRICAL

REF. NO.	PART NO.	DESCRIPTION	Q'TY	REMARKS
1	34200-87D30	TACHOMETER ASSY	1	
2	09471-12001	.BULB (12V,3.4W)	1	
3	34100-87D30	SPEEDOMETER ASSY	1	
4	09471-12001	.BULB (12V,3.4W)	1	
5	34190-95500	.SENSOR ASSY, speedometer	1	
6	34500-87D10	METER ASSY, hour	1	
7	34600-87D20	METER ASSY, VOLTAGE	1	
8	09471-12001	.BULB (12V,3.4W)	1	
9	34850-94700	SWITCH, heat	1	
10	34108-94500	SWITCH ASSY, meter	1	
11	34109-94500	LEAD, meter extension	1	
12	36990-87D00	TERMINAL & SLEEVE SET	1	

FIG. 30

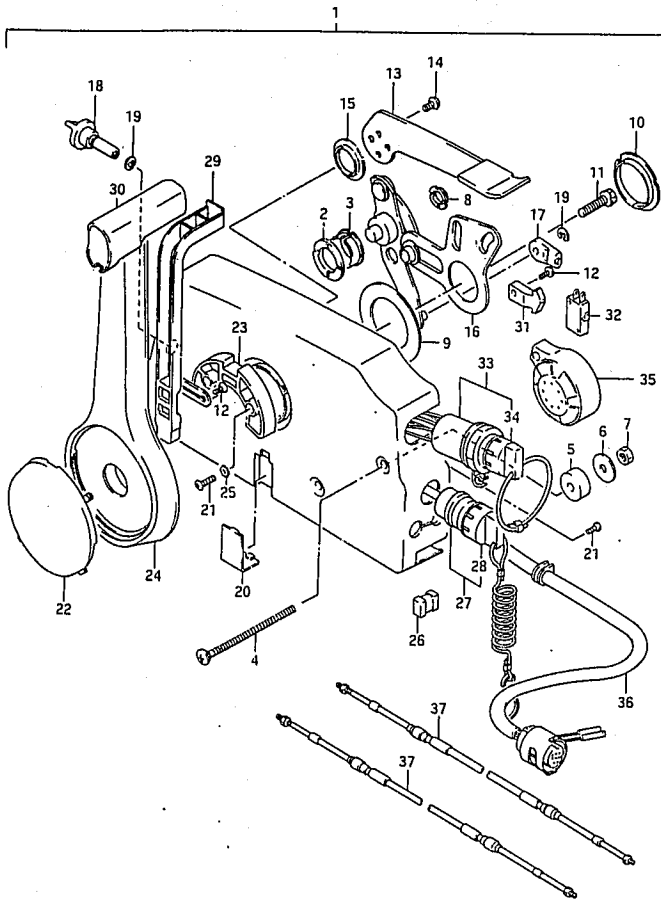


36

FIG.30 ( F- 6) OPTIONAL : REMOTE CONTROL PARTS

REF.NO.	PART NO.	DESCRIPTION	Q'TY	REMARKS
1	67130-94302-10V	PARTS ASSY, remo-con	1	
2	67341-94302	.HOLDER, remo-con cable	2	
3	67440-93701	.GUIDE, clutch cable	1	
4	09205-02006	..SPRING PIN	1	
5	09440-09025	..SPRING	1	
6	09160-06015	.WASHER (6.5x13x1)	2	
7	09100-06115	.BOLT (6x15)	2	
8	67466-95200	.CONNECTOR, remo-con cable	1	
9	67414-94301-10V	.LEVER, remo-con throttle	1	
10	09100-06115	.BOLT (6x15)	1	
11	09160-06015	.WASHER (6.5x13x1)	1	
12	09119-06047	.BALL PIVOT	1	

FIG.31



37

FIG.31 ( F- 7) OPTIONAL : REMOTE CONTROL

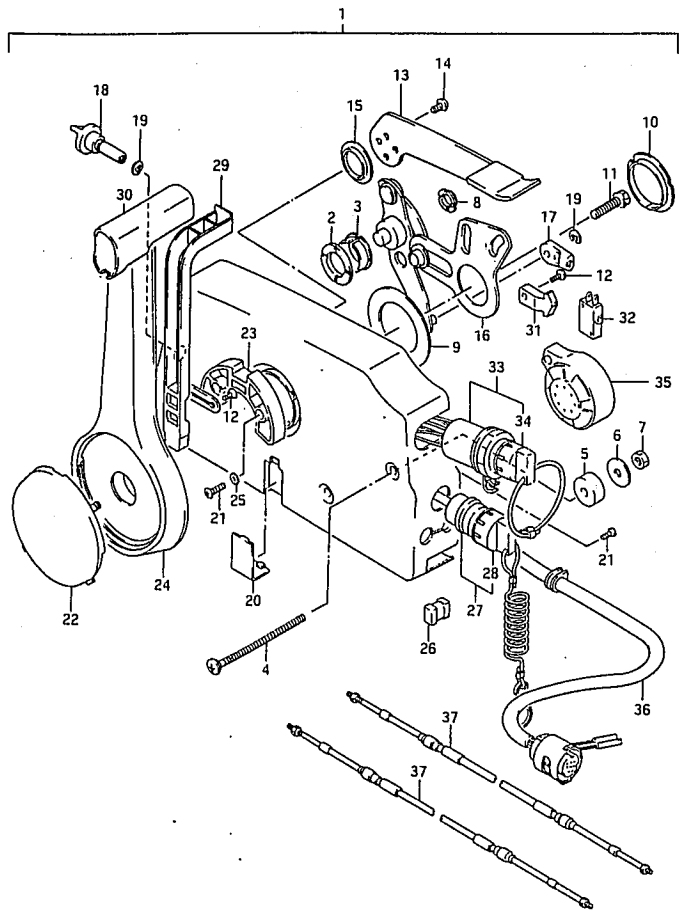
REF.NO.	PART NO.	DESCRIPTION	Q'TY	REMARKS
1	67200-96401-10V	REMOTE CONTROL BOX ASSY	1	
2	67232-95600	.BUSH	1	
3	67232-95620	.BUSH	1	
4	67296-95600	.SCREW	3	
5	67294-95600	.SPACER	3	
6	67288-94310	.WASHER	3	
7	09140-06004	.NUT	3	
8	67232-95610	.BUSH	2	
9	67253-95600	.WASHER	1	
10	67252-95600	.BUSH	2	
11	09100-08232	.BOLT	1	
12	67296-94300	.SCREW	3	
13	67241-95650	.LEVER, free throttle	1	
14	09126-05003	.SCREW	2	
15	67243-95600	.BUSH	1	
16	67220-95600	.PLATE ASSY	1	
17	67275-95600	.END, cable	2	
18	67223-95600	.KNOB, brake ADJ	1	
19	67292-94300	.E RING	3	
20	67267-95610	.COVER, wire (Black)	1	
21	67296-95610	.SCREW	7	
22	67257-95610	.CAP, lever (Black)	1	
23	67256-95600	.HOLDER, neut lock	1	
24	67251-95670	.LEVER, handle	1	
25	67297-95600	.WASHER	2	
26	67273-95600	.SPACER	1	
27	37820-94411	.SWITCH ASSY, emergency	1	
28	37823-94400	.CAP & ROPE	1	
29	67255-95600	.ARM, neutral lock	1	

FIG.31

38

FIG.31 ( F- 8) OPTIONAL : REMOTE CONTROL

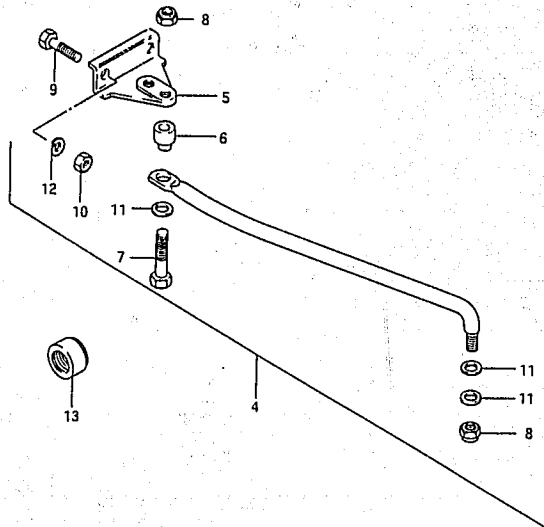
Q'TY



REF.NO.	PART NO.	DESCRIPTION	Q'TY	REMARKS
30	67261-95610	.GRIP	1	
31	67214-95600	.ACTUATOR	1	
32	37721-94600	.SWITCH, neutral	1	
33	37110-94601	.IGNITION SWITCH	1	
34	37141-94400	.KEY (101)	1	
35	38500-87D10	.BUZZER	1	
36	36620-94610	.WIRING HARNESS 7 WIRES	1	
37-1	67320-95500	CABLE, remocon 6F (1.8m)	2	
37-2	67320-95510	CABLE, remocon 7F (2.1m)	2	
37-3	67320-95520	CABLE, remocon 8F (2.4m)	2	
37-4	67320-95530	CABLE, remocon 9F (2.7m)	2	
37-5	67320-95540	CABLE, remocon 10F (3.1m)	2	
37-6	67320-95550	CABLE, remocon 11F (3.4m)	2	
37-7	67320-95560	CABLE, remocon 12F (3.7m)	2	
37-8	67320-95570	CABLE, remocon 13F (4.0m)	2	
37-9	67320-95580	CABLE, remocon 14F (4.3m)	2	
37-10	67320-95590	CABLE, remocon 15F (4.6m)	2	
37-11	67320-95600	CABLE, remocon 16F (4.9m)	2	
37-12	67320-95610	CABLE, remocon 17F (5.2m)	2	
37-13	67320-95620	CABLE, remocon 18F (5.5m)	2	
37-14	67320-95630	CABLE, remocon 19F (5.8m)	2	
37-15	67320-95640	CABLE, remocon 20F (6.1m)	2	
37-16	67320-95650	CABLE, remocon 22F (6.7m)	2	



FIG. 32



39

FIG.32 ( F- 9) OPTIONAL : TIE-ROD / EXTENSION BAR

Q'TY

REF.NO. PART NO. DESCRIPTION REMARKS

4	67701-96301	DRAG LINK ASSY	1
5	43755-96301	.ATTACHMENT, steering BRKT	1
6	67721-94300	.SPACER	1
7	67725-94501	.BOLT	1
8	67726-94500	.NUT	2
9	09100-08224	.BOLT	2
10	09140-08016	.NUT	2
11	67728-94501	.WASHER	3
12	09162-08007	.LOCK WASHER	2
13	41161-94400	SEAL, steering cable	1